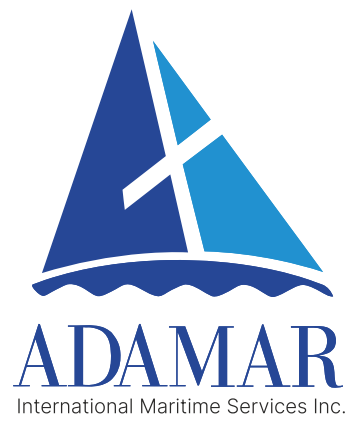


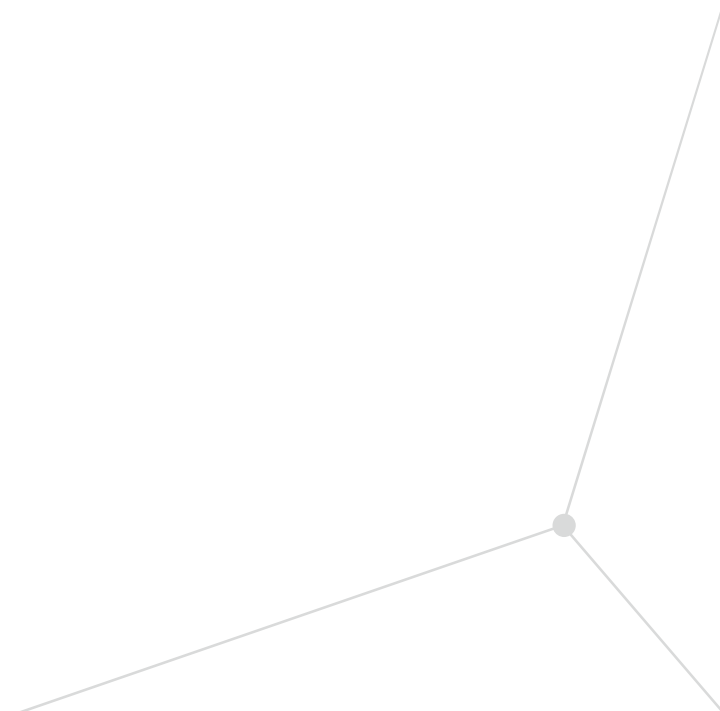
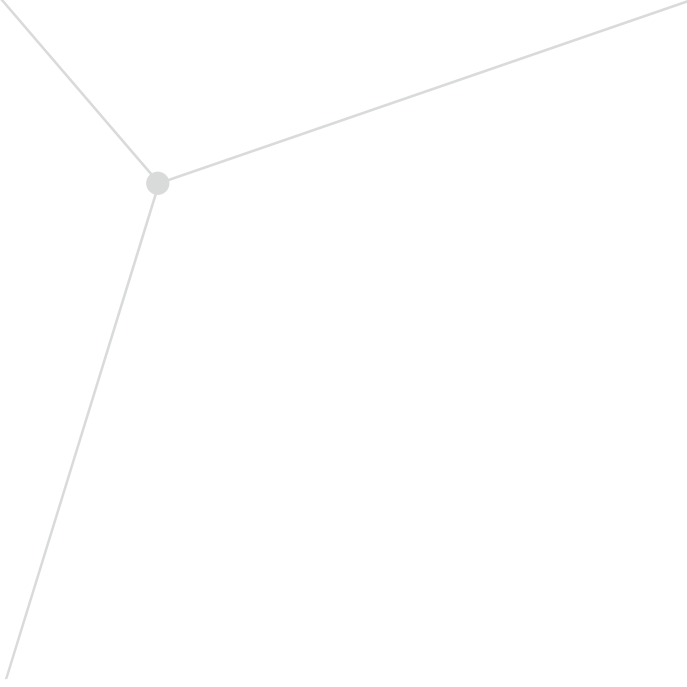


JIS & DIN

MARINE VALVES



 www.adamarine.com





GO
confidently 

 www.adamarine.com

WHO WE ARE

ADAMAR INTERNATIONAL SHIP SUPPLY is one of the leading general ship supply companies which offer professional supply service to vessels calling at all ports, straits & shipyards in Turkey.

We are an ISSA, IMPA, TURSSA and TRADE NET member. Being certified with ISO9001, ISO22000, ISO14001 and OHSAS 18001 we run our business in full compliance with international regulations and quality, safety & environmental standards.

Since the date of our establishment we aimed to gradually increase our capacity and service level with new investments and use of modern technology; to sustain and reinforce our position in the marine supply sector; as well as preserve our customers' satisfaction as our highest Priority.

Growing faster & stronger each day and being aware of the gap that currently exists in the Turkish market regarding marine valves supply, we decided to make a significant investment in marine valves supply sector.

Newly established ADAMAR VALVES is proud to serve their customers with an extensive & comprehensive stock of typical marine valves

All our products meet the JIS and DiN standards and they are certified by DNV-GL Class society. Our broad product range includes all types of bronze, cast steel and cast iron marine valves. They are being manufactured by DNV-GL, ABS, NK, BV & LR Class approved manufacturers.

An expertized team in this field is ready to support you in all Turkish ports & straits, particularly in Istanbul region, Tuzla and Yalova Shipyards where we can provide a 24/7 expert product advise and same-day supply.

At the same time, we do provide worldwide supply of our products from our warehouses in TURKEY & EUROPE & CHINA & KOREA & SINGAPORE. No matter where your vessel is trading, just contact us. We will ensure your order is dispatched as soon as possible and that it safely reaches your vessel on time.

If you are asking for high quality, cost effective products and on-time delivery, all you should do is to rely on us & join us ..



PAGE SORTING

JIS VALVES

- 8 JIS 5K, JIS 16K - GLOBE BRONZE VALVES
- 9 JIS 5K, JIS 16K - ANGLE BRONZE VALVES
- 10 JIS 16K - GLOBE & ANGLE BRONZE CERTIFICATED VALVES
- 11 JIS 16K - GLOBE & ANGLE UNION BONNET VALVES
- 12 JIS 5K, JIS 10K - GATE BRONZE VALVES
- 13 JIS 5K, JIS 10K - BRONZE AND CAST IRON HOSE VALVES
- 14 JIS 20K, JIS 46K - GLOBE FORGED STEEL VALVES
- 15 JIS 20K, JIS 46K - ANGLE FORGED STEEL VALVES
- 16 JIS 10K, GLOBE - SELF CLOSING VALVES
- 17 JIS 20K, GLOBE & ANGLE TYPE S BRONZE VALVES
- 18 JIS 5K, 10K, 20K - GLOBE STEEL VALVES
- 19 JIS 5K, 10K, 20K - ANGLE STEEL VALVES
- 20 JIS 5K, 10K - GLOBE (VERTICAL) STORM VALVES
- 21 JIS 5K, 10K - ANGLE STORM VALVES
- 22 JIS 5K, 10K - GATE STEEL VALVES
- 23 JIS 5K, 10K, 16K - GLOBE CAST IRON VALVES
- 24 JIS 5K, 10K, 16K - ANGLE CAST IRON VALVES
- 25 JIS 5K, 10K, 16K - GATE CAST IRON VALVES
- 26 JIS 5K, 10K - GLOBE QUICK CLOSING BRONZE VALVES
- 27 JIS 5K, 10K - ANGLE QUICK CLOSING BRONZE VALVES
- 28 JIS 5K, 10K - GLOBE QUICK CLOSING STEEL VALVES
- 29 JIS 5K, 10K - ANGLE QUICK CLOSING STEEL VALVES
- 30 JIS 5K & 10K - WAFER VALVES WITH LOCK LEVER & WITH WORM GEAR
- 31 JIS 5K & 10K - WAFER VALVES WITHOUT OPERATOR (BARESHAFT)
- 32 JIS 5K & 10K - LUG TYPE VALVES, WITH LOCK LEVER (CAST IRON)
- 33 JIS 5K & 10K - LUG TYPE VALVES, WITH WORM GEAR (CAST IRON)
- 34 JIS 5K & 10K - LUG TYPE VALVES, WITH LOCK LEVER (DUCTILE IRON)
- 35 JIS 5K & 10K - LUG TYPE VALVES, WITH WORM GEAR (DUCTILE IRON)
- 36 JIS 10K - SHORT & LONG FLANGED BUTTERFLY VALVES
- 37 JIS 5K & 10K - DUO CHECK VALVES
- 38 JIS 5K - AIR VENT HEADS

DIN VALVES

- 42 PN16 - GLOBE VALVES
- 43 PN16 - ANGLE VALVES
- 44 PN40 - GLOBE VALVES
- 45 PN40 - ANGLE VALVES
- 46 PN16 - GATE VALVES
- 47 PN10 - STORM VALVES VERTICAL
- 48 PN10 - STORM VALVES ANGLE
- 49 PN16 - GLOBE QUICK CLOSING VALVES
- 50 PN16 - ANGLE QUICK CLOSING VALVES
- 51 PN10 - LUG TYPE BUTTERFLY VALVES
- 52 PN10 - FLANGED TYPE BUTTERFLY VALVES



ADAMAR
International Maritime Services Inc.



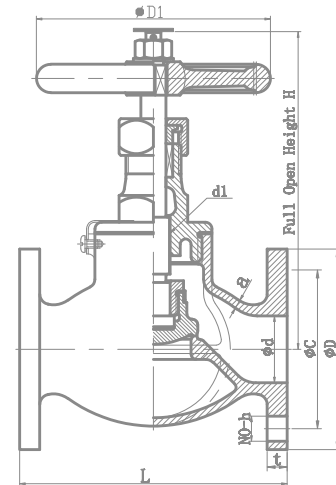
JIS

MARINE VALVES

JIS MARINE VALVES

JIS F7301 & F7351 - GLOBE VALVE CAST BRONZE, JIS 5K

JIS F7303 & F7409 - GLOBE VALVE CAST BRONZE, JIS 16K



08

www.adamarine.com

VALVE DETAILS

MATERIALS

- BODY** : BC6 (BRONZE)
- DISC** : BC6 (BRONZE)
- STEM** : BC6 (BRONZE)
- BONNET** : BC6 (BRONZE)
- HANDWHEEL** : FC200 (CAST IRON)

INFO

- L** : FACE TO FACE
- D** : FLANGE OUTSIDE DIAMETER (F.O.D)
- C** : PITCH OF CIRCLE DIAMETER (P.C.D)
- NO** : NUMBER OF HOLES
- H** : DIAMETER OF HOLES
- W** : WEIGHT

JIS F7301 & DIMENSION TABLE

JIS 5K CODE(STOP)	CODE(SDNR)	DN	L	D	C	NO	H	W
750121	751051	15	100	80	60	4	12	2,02
750122	751052	20	110	85	65	4	12	2,86
750123	751053	25	120	95	75	4	12	3,54
750124	751054	32	140	115	90	4	15	5,00
750125	751055	40	160	120	95	4	15	6,48

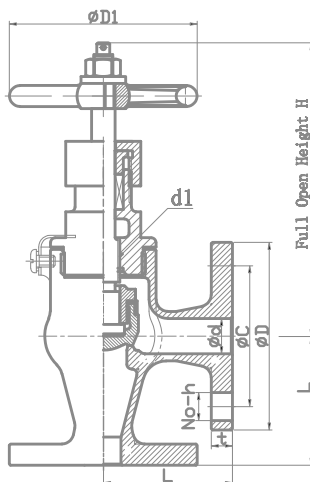
JIS F7303 & F7409 DIMENSION TABLE

JIS 16K CODE(STOP)	CODE(SDNR)	DN	L	D	C	NO	H	W
750141	751071	15	110	95	70	4	15	2,76
750142	751072	20	120	100	75	4	15	3,72
750143	751073	25	130	125	90	4	19	5,20
750144	751074	32	160	135	100	4	19	6,91
750145	751075	40	180	140	105	4	19	8,43

JIS MARINE VALVES

JIS F7302 & F7352 - ANGLE VALVE CAST BRONZE, JIS 5K

JIS F7304 & F7410 - ANGLE VALVE CAST BRONZE, JIS 16K



09

valves@adamarine.com

VALVE DETAILS

MATERIALS		
BODY	:	BC6 (BRONZE)
DISC	:	BC6 (BRONZE)
STEM	:	BC6 (BRONZE)
BONNET	:	BC6 (BRONZE)
HANDWHEEL	:	FC200 (CAST IRON)

INFO		
L	:	CENTER TO FACE
D	:	FLANGE OUTSIDE DIAMETER (F.O.D)
C	:	PITCH OF CIRCLE DIAMETER (P.C.D)
NO	:	NUMBER OF HOLES
H	:	DIAMETER OF HOLES
W	:	WEIGHT

JIS F7302 & F7352 DIMENSION TABLE

JIS 5K CODE(STOP)	CODE(SDNR)	DN	L	D	C	NO	H	W
750131	751061	15	55	80	60	4	12	1,98
750132	751062	20	60	85	65	4	12	2,73
750133	751063	25	65	95	75	4	12	3,44
750134	751064	32	80	115	90	4	15	4,77
750135	751065	40	85	120	95	4	15	5,99

JIS F7304 & F7410 DIMENSION TABLE

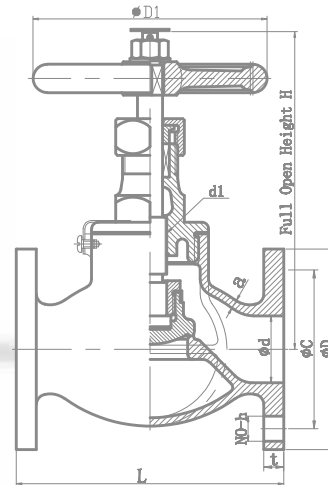
JIS 16K CODE(STOP)	CODE(SDNR)	DN	L	D	C	NO	H	W
750151	751081	15	70	95	70	4	15	2,73
750152	751082	20	75	100	75	4	15	3,65
750153	751083	25	85	125	90	4	19	5,16
750154	751084	32	95	135	100	4	19	6,72
750155	751085	40	100	140	105	4	19	8,13

JIS MARINE VALVES



JIS F7409 - GLOBE VALVE CAST BRONZE, JIS 16K

JIS F7410 - ANGLE VALVE CAST BRONZE, JIS 16K



10

www.adamarine.com

VALVE DETAILS

MATERIALS

- BODY** : BC6 (BRONZE)
- DISC** : BC6 (BRONZE)
- STEM** : BC6 (BRONZE)
- BONNET** : BC6 (BRONZE)
- HANDWHEEL** : FC200 (CAST IRON)

INFO

- L** : FACE TO FACE
- D** : FLANGE OUTSIDE DIAMETER (F.O.D)
- C** : PITCH OF CIRCLE DIAMETER (P.C.D)
- NO** : NUMBER OF HOLES
- H** : DIAMETER OF HOLES
- W** : WEIGHT

JIS F7409 DIMENSION TABLE

JIS 16K CODE	DN	L	D	C	NO	H	W
751071-W/CLASS	15	110	95	70	4	15	2,76
751072-W/CLASS	20	120	100	75	4	15	3,72
751073-W/CLASS	25	130	125	90	4	19	5,20
751074-W/CLASS	32	160	135	100	4	19	6,91
751075-W/CLASS	40	180	140	105	4	19	8,43

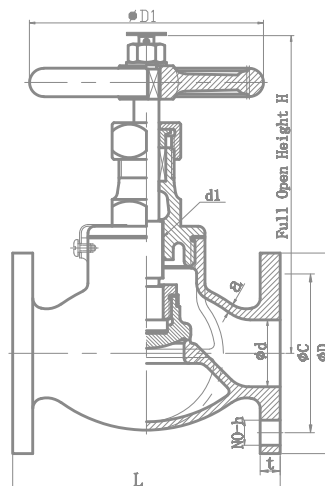
JIS F7410 DIMENSION TABLE

JIS 16K CODE	DN	L	D	C	NO	H	W
751081-W/CLASS	15	70	95	70	4	15	2,73
751082-W/CLASS	20	75	100	75	4	15	3,65
751083-W/CLASS	25	85	125	90	4	19	5,16
751084-W/CLASS	32	95	135	100	4	19	6,72
751085-W/CLASS	40	100	140	105	4	19	8,13

JIS MARINE VALVES

JIS F7348 - UNION BONNET TYPE GLOBE VALVE CAST BRONZE, JIS 16K

JIS F7349 - UNION BONNET TYPE GLOBE VALVE CAST BRONZE, JIS 16K



11

valves@adamarine.com

VALVE DETAILS

MATERIALS

- BODY** : BC6 (BRONZE)
- DISC** : BC6 (BRONZE)
- STEM** : BC6 (BRONZE)
- BONNET** : BC6 (BRONZE)
- HANDWHEEL** : FC200 (CAST IRON)

INFO

- L** : FACE TO FACE
- D** : FLANGE OUTSIDE DIAMETER (F.O.D)
- C** : PITCH OF CIRCLE DIAMETER (P.C.D)
- NO** : NUMBER OF HOLES
- H** : DIAMETER OF HOLES
- W** : WEIGHT

JIS F7348 DIMENSION TABLE

JIS 16K CODE(STOP)	DN	L	D	C	NO	H	W
750521	15	110	95	70	4	15	2,96
750522	20	120	100	75	4	15	3,92
750523	25	130	125	90	4	19	5,65
750524	32	160	135	100	4	19	7,24
750525	40	180	140	105	4	19	9,12

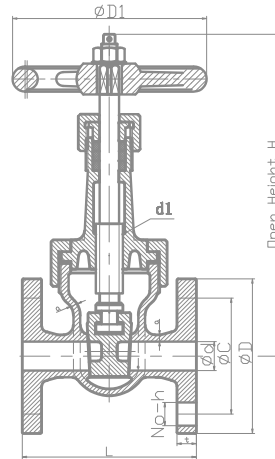
JIS F7349 DIMENSION TABLE

JIS 16K CODE(STOP)	DN	L	D	C	NO	H	W
750531	15	70	95	70	4	15	2,95
750532	20	75	100	75	4	15	3,88
750533	25	85	125	90	4	19	5,53
750534	32	95	135	100	4	19	6,98
750535	40	100	140	105	4	19	8,57

JIS MARINE VALVES

JIS F7367 - RISING STEM TYPE GATE VALVE CAST BRONZE, JIS 5K

JIS F7410 - RISING STEM TYPE GATE VALVE CAST BRONZE, JIS 10K



12

www.adamarine.com

VALVE DETAILS

MATERIALS

- BODY** : BC6 (BRONZE)
- DISC** : BC6 (BRONZE)
- STEM** : BC6 (BRONZE)
- BONNET** : BC6 (BRONZE)
- HANDWHEEL** : FC200 (CAST IRON)

INFO

- L** : FACE TO FACE
- D** : FLANGE OUTSIDE DIAMETER (F.O.D)
- C** : PITCH OF CIRCLE DIAMETER (PC.D)
- NO** : NUMBER OF HOLES
- H** : DIAMETER OF HOLES
- W** : WEIGHT

JIS F7367 DIMENSION TABLE

JIS 5K CODE	DN	L	D	C	NO	H	W
750951	15	90	80	60	4	12	2,29
750952	20	100	85	65	4	12	2,98
750953	25	110	95	75	4	12	4,10
750954	32	130	115	90	4	15	5,79
750955	40	140	120	95	4	15	7,78

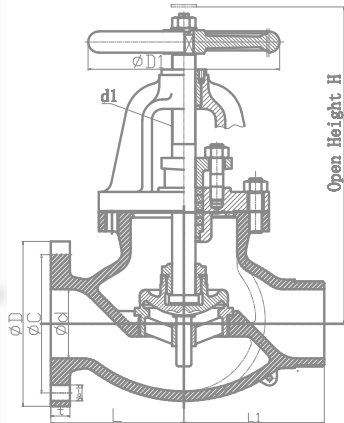
JIS F7368 DIMENSION TABLE

JIS 10K CODE	DN	L	D	C	NO	H	W
750961	15	100	95	70	4	15	2,96
750962	20	110	100	75	4	15	3,89
750963	25	120	125	90	4	19	5,82
750964	32	140	135	100	4	19	7,52
750965	40	150	140	105	4	19	9,71

JIS MARINE VALVES

JIS F7334A - GLOBE HOSE VALVE CAST BRONZE, JIS 5K/10K

JIS F7334B - ANGLE HOSE VALVE CAST BRONZE, JIS 5K/10K



13

valves@adamarine.com

VALVE DETAILS

MATERIALS

- BODY** : BC6 (BRONZE)
- DISC** : BC6 (BRONZE)
- STEM** : BC6 (BRONZE)
- BONNET** : BC6 (BRONZE)
- HANDWHEEL** : FC200 (CAST IRON)

INFO

- L** : FACE TO FACE
- D** : FLANGE OUTSIDE DIAMETER (F.O.D)
- C** : PITCH OF CIRCLE DIAMETER (P.C.D)
- NO** : NUMBER OF HOLES
- H** : DIAMETER OF HOLES
- W** : WEIGHT

JIS F7334A DIMENSION TABLE

JIS 5K/10K CODE	DN	L	D	C	NO	H	W
751701	15	73	80	60	4	12	2,51
751702	15	73	95	70	4	15	2,76
751703	25	78	95	75	4	12	3,55
751704	25	83	125	90	4	19	4,15
751711	40	128,5	120	95	4	15	6,26
751712	40	133,5	140	105	4	19	8,43
751716	50	159,8	130	105	4	15	12,90
751717	50	164,8	155	120	4	15	15,40
751718	65	199,8	175	140	4	19	27,80

JIS F7334B DIMENSION TABLE

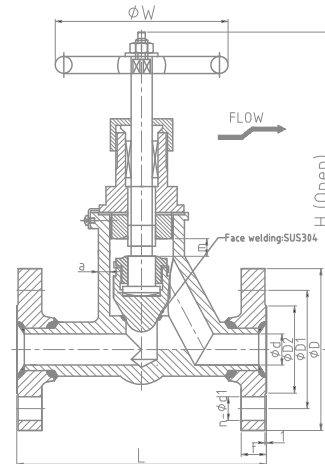
JIS 5K/10K CODE	DN	L	D	C	NO	H	W
751706	15	68	80	60	4	12	2,41
751707	15	73	95	70	4	15	2,72
751708	25	78	95	75	4	12	3,44
751709	25	83	125	90	4	19	4,04
751713	40	123,5	120	95	4	15	5,91
751714	40	123,5	140	105	4	19	8,19
751721	50	154,8	130	105	4	15	11,00
751722	50	159,8	155	120	4	19	14,30
751723	65	179,8	175	140	4	19	23,00

JIS MARINE VALVES



JIS F7421 - GLOBE VALVE FORGED STEEL, JIS 20K

JIS F7336 - GLOBE AIR VALVE FORGED STEEL, JIS 46K



14

www.adamarine.com

VALVE DETAILS

MATERIALS

- BODY : SF (FORGED STEEL)
- DISC : SUS (STAINLEES STEEL)
- STEM : SUS (STAINLEES STEEL)
- BONNET : SF (FORGED STEEL)
- HANDWHEEL : FC200 (CAST IRON)

INFO

- L : FACE TO FACE
- D : FLANGE OUTSIDE DIAMETER (F.O.D)
- C : PITCH OF CIRCLE DIAMETER (P.C.D)
- NO : NUMBER OF HOLES
- H : DIAMETER OF HOLES
- W : WEIGHT

JIS F7421 DIMENSION TABLE

JIS 20K CODE	DN	L	D	C	NO	H	W
750611	15	140	95	70	4	15	4,4
750612	20	160	100	75	4	15	5,9
750613	25	180	125	90	4	15	7,7

JIS F7336 DIMENSION TABLE

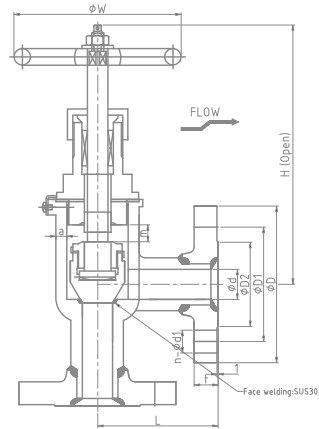
JIS 46K CODE	DN	L	D	C	NO	H	W
750741	15	150	115	80	4	19	5,60
750742	20	170	120	85	4	19	7,09
750743	25	200	130	95	4	19	9,46

JIS MARINE VALVES



JIS F7422 - ANGLE VALVE FORGED STEEL, JIS 20K

JIS F7337 - ANGLE AIR VALVE FORGED STEEL, JIS 46K



15

valves@adamarine.com

VALVE DETAILS

MATERIALS

- BODY** : SF (FORGED STEEL)
- DISC** : SUS (STAINLEES STEEL)
- STEM** : SUS (STAINLEES STEEL)
- BONNET** : SF (FORGED STEEL)
- HANDWHEEL** : FC200 (CAST IRON)

INFO

- L** : CENTER TO FACE
- D** : FLANGE OUTSIDE DIAMETER (F.O.D)
- C** : PITCH OF CIRCLE DIAMETER (P.C.D)
- NO** : NUMBER OF HOLES
- H** : DIAMETER OF HOLES
- W** : WEIGHT

JIS F7422 DIMENSION TABLE

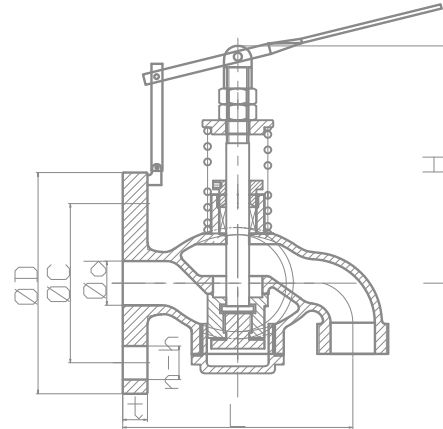
JIS 20K CODE	DN	L	D	C	NO	H	W
750626	15	75	95	70	4	15	4,2
750627	20	80	100	75	4	15	5,6
750628	25	95	125	90	4	19	7,2

JIS F7337 DIMENSION TABLE

JIS 46K CODE	DN	L	D	C	NO	H	W
750756	15	90	115	80	4	19	5,99
750757	20	95	120	85	4	19	7,00
750758	25	100	130	95	4	19	9,11

JIS MARINE VALVES

JIS F7398 - U TYPE SELF CLOSING VALVE CAST BRONZE, JIS 10K



16

www.adamarine.com

VALVE DETAILS

MATERIALS

- BODY** : BC6 (BRONZE)
- DISC** : BC6 (BRONZE)
- STEM** : BC6 (BRONZE)
- BONNET** : BC6 (BRONZE)
- HANDWHEEL** : FC200 (CAST IRON)

INFO

- L** : FACE TO FACE
- D** : FLANGE OUTSIDE DIAMETER (F.O.D)
- C** : PITCH OF CIRCLE DIAMETER (P.C.D)
- NO** : NUMBER OF HOLES
- H** : DIAMETER OF HOLES
- W** : WEIGHT

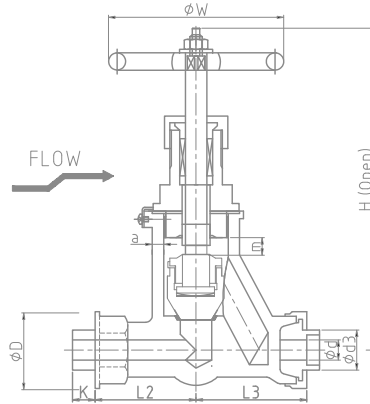
JIS F7348 DIMENSION TABLE

JIS 10K CODE	DN	L	D	C	NO	H	W
758501	15	110	95	70	4	15	4,7
758502	20	130	100	75	4	15	4,7
758503	25	130	125	90	4	19	4,7
758504	32	180	135	100	4	19	8,1
758505	40	180	140	105	4	19	8,1

JIS MARINE VALVES

JIS F7388 - S TYPE GLOBE VALVE CAST BRONZE, JIS 20K

JIS F7389 - S TYPE ANGLE VALVE CAST BRONZE, JIS 20K



17

valves@adamarine.com

VALVE DETAILS

MATERIALS	PROPERTY	VALUE
BODY		: BC6 (BRONZE)
DISC		: BC6 (BRONZE)
STEM		: BC6 (BRONZE)
BONNET		: BC6 (BRONZE)
HANDWHEEL		: FC200 (CAST IRON)

INFO	PROPERTY	VALUE
C		: PIPE OUT .DIAM. COOPER
S		: PIPE OUT .DIAM. STEEL
T		: THREAD
W		: WEIGHT

JIS F7388 DIMENSION TABLE

JIS 20K CODE (STOP)	C	S	T	W
750551	8 & 10	10,5	M20 * 1.5	0,81
750552	15	17,3	M24* 2	1,22

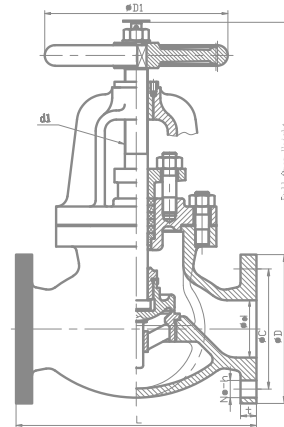
JIS F7389 DIMENSION TABLE

JIS 20K CODE (STOP)	C	S	T	W
750561	8 & 10	10,5	M20 * 1.5	0,83
750562	15	17,3	M24* 2	1,19

JIS MARINE VALVES



- JIS F7311 & F7311C - GLOBE VALVE CAST STEEL, JIS 5K
- JIS F7319 & F7471 - GLOBE VALVE CAST STEEL, JIS 10K
- JIS F7313 & F7473 - GLOBE VALVE CAST STEEL, JIS 20K



18

www.adamarine.com

VALVE DETAILS

MATERIALS

BODY : SC (CAST STEEL)
DISC : SUS (STAINLESS STEEL)
STEM : SUS (STAINLESS STEEL)
BONNET : SC (CAST STEEL)
HANDWHEEL : FC200 (CAST IRON)

INFO

L : FACE TO FACE
D : FLANGE OUTSIDE DIAMETER (F.O.D)
C : PITCH OF CIRCLE DIAMETER (P.C.D)
NO : NUMBER OF HOLES
H : DIAMETER OF HOLES
W : WEIGHT

JIS F7311 & F7311C DIMENSION TABLE

JIS 5K CODE (STOP)	CODE (SDNR)	DN	L	D	C	NO	H	W
750301	750310	50	210	130	105	4	15	14,7
750302	750311	65	250	155	130	4	15	21,3
750303	750312	80	280	180	145	4	19	27,7
750304	750313	100	340	200	165	8	19	40,8
750305	750314	125	410	235	200	8	19	57,6
750306	750315	150	480	265	230	8	19	80,3
750307	750316	200	570	320	280	8	23	139

JIS F7319 & F7471 DIMENSION TABLE

JIS 10K CODE (STOP)	CODE (SDNR)	DN	L	D	C	NO	H	W
750411	751201	50	220	155	120	4	19	17,9
750412	751202	65	270	175	140	4	19	26,0
750413	751203	80	300	185	150	8	19	29,8
750414	751204	100	350	210	175	8	19	44,7
750415	751205	125	420	250	210	8	23	70,3
750416	751206	150	490	280	240	8	23	96,4
750417	751207	200	570	330	290	12	23	159,0
750418	751208	250	740	400	355	12	25	257,0
750419	751209	300	840	445	400	16	25	370

JIS F7313 & F7473 DIMENSION TABLE

JIS 20K CODE (STOP)	CODE (SDNR)	DN	L	D	C	NO	H	W
750431	751231	32	190	135	100	4	19	14,4
750432	751232	40	200	140	105	4	19	16,0
750433	751233	50	230	155	120	8	19	21,6
750434	751234	65	270	175	140	8	19	30,4
750435	751235	80	300	200	160	8	23	43,5
750436	751237	100	350	225	185	8	23	62,3
750437	751238	125	430	270	225	8	25	95,7
750438	751239	150	500	305	260	12	25	133,3
750439	751240	200	560	350	305	12	25	296,1
750440	751241	250	660	430	380	12	27	339,1

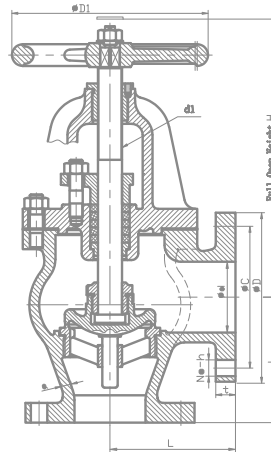
JIS MARINE VALVES



JIS F7312 & F7312C - ANGLE VALVE CAST STEEL, JIS 5K

JIS F7320 & F7472 - ANGLE VALVE CAST STEEL, JIS 10K

JIS F7314 & F7474 - ANGLE VALVE CAST STEEL, JIS 20K



19

valves@adamarine.com

VALVE DETAILS

MATERIALS

- BODY : SC (CAST STEEL)
- DISC : SUS (STAINLESS STEEL)
- STEM : SUS (STAINLESS STEEL)
- BONNET : SC (CAST STEEL)
- HANDWHEEL : FC200 (CAST IRON)

INFO

- L : CENTER TO FACE
- D : FLANGE OUTSIDE DIAMETER (F.O.D)
- C : PITCH OF CIRCLE DIAMETER (P.C.D)
- NO : NUMBER OF HOLES
- H : DIAMETER OF HOLES
- W : WEIGHT

JIS F7312 & F7312C DIMENSION TABLE

JIS 5K CODE (STOP)	CODE (SDNR)	DN	L	D	C	NO	H	W
750320	750330	50	100	130	105	4	15	12,9
750321	750331	65	115	155	130	4	15	18,2
750322	750332	80	130	180	145	4	19	23,4
750323	750333	100	150	200	165	8	19	33,7
750324	750334	125	170	235	200	8	19	46,2
750325	750335	150	190	265	230	8	19	63,4
750826	750336	200	220	320	280	8	23	105
750406	750406-CHECK	250	275	385	345	12	23	178
750407	750407-CHECK	300	310	430	390	12	23	275
750408	750408-CHECK	350	360	480	435	12	25	364

JIS F7320 & F7472 DIMENSION TABLE

JIS 10K CODE (STOP)	CODE (SDNR)	DN	L	D	C	NO	H	W
750421	751216	50	120	155	120	4	19	16,3
750422	751217	65	130	175	140	4	19	23,0
750423	751218	80	140	185	150	8	19	25,3
750424	751219	100	160	210	175	8	19	37,0
750425	751220	125	180	250	210	8	23	57,1
750426	751221	150	205	280	240	8	23	77,2
750427	751222	200	230	330	290	12	23	116
750428	751223	250	290	400	355	12	25	188
750429	751224	300	320	445	400	16	25	256

JIS F7314 & F7474 DIMENSION TABLE

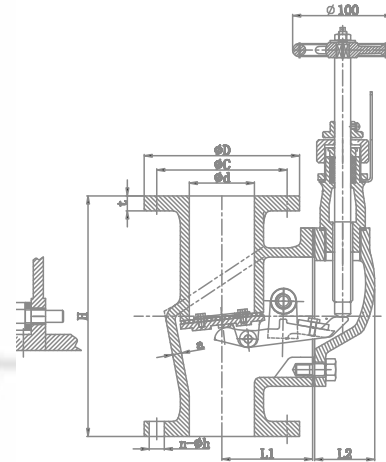
JIS 20K CODE (STOP)	CODE (SDNR)	DN	L	D	C	NO	H	W
750441	751246	32	100	135	100	4	19	13,0
750442	751247	40	110	140	105	4	19	15,2
750443	751248	50	125	155	120	8	19	20,0
750444	751249	65	135	175	140	8	19	26,9
750445	751250	80	150	200	160	8	23	38,9
750446	751251	100	170	225	185	8	23	54,4
750447	751252	125	200	270	225	8	25	80,7
750448	751253	150	225	305	260	12	25	112,3
750449	751254	200	280	350	305	12	25	183,0
750450	751255	250	310	430	380	12	27	285,9

JIS MARINE VALVES



JIS F73060 - GLOBE (VERTICAL) STORM VALVE CAST STEEL, JIS 5K

JIS F3060 - GLOBE (VERTICAL) STORM VALVE CAST STEEL, JIS 10K



20

www.adamarine.com

VALVE DETAILS

MATERIALS

BODY : SC (CAST STEEL)
DISC : SUS (STAINLESS STEEL)
STEM : SUS (STAINLESS STEEL)
BONNET : SC (CAST STEEL)
HANDWHEEL : FC200 (CAST IRON)

INFO

L : CENTER TO FACE
D : FLANGE OUTSIDE DIAMETER (F.O.D)
C : PITCH OF CIRCLE DIAMETER (P.C.D)
NO : NUMBER OF HOLES
H : DIAMETER OF HOLES
W : WEIGHT

JIS F3060 DIMENSION TABLE

JIS 5K CODE	DN	L	D	C	NO	H	W
754241	50	210	130	105	4	15	14,70
754242	65	240	155	130	4	15	21,30
754243	80	260	180	145	4	19	37,70
754244	100	280	200	165	8	19	40,80
754245	125	330	235	200	8	19	57,60
754246	150	360	265	230	8	19	80,30

JIS F3060 DIMENSION TABLE

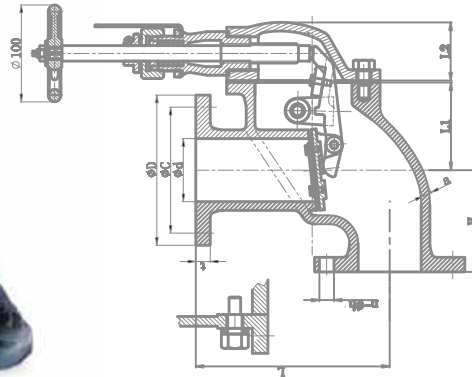
JIS 10K CODE	DN	L	D	C	NO	H	W
754241-10K	50	210	155	120	4	19	14,70
754242-10K	65	240	175	140	4	19	21,30
754243-10K	80	260	185	150	8	19	37,70
754244-10K	100	280	210	175	8	19	40,80
754245-10K	125	330	250	210	8	23	57,60
754246-10K	150	360	280	240	8	23	80,30
754247-10K	200	500	330	290	12	23	83,40

JIS MARINE VALVES



JIS F3060R - ANGLE STORM VALVE CAST STEEL, JIS 5K

JIS F3060R - ANGLE STORM VALVE CAST STEEL, JIS 10K



21

valves@adamarine.com

VALVE DETAILS

MATERIALS

BODY : SC (CAST STEEL)
DISC : BC6 (BRONZE)
STEM : SUS (STAINLESS STEEL)
BONNET : SC (CAST STEEL)
HANDWHEEL : FC200 (CAST IRON)

INFO

L : CENTER TO FACE
D : FLANGE OUTSIDE DIAMETER (F.O.D)
C : PITCH OF CIRCLE DIAMETER (P.C.D)
NO : NUMBER OF HOLES
H : DIAMETER OF HOLES
W : WEIGHT

JIS F3060R DIMENSION TABLE

JIS 5K CODE	DN	L	D	C	NO	H	W
754251	50	170	130	105	4	15	13,0
754252	65	190	155	130	4	15	19,0
754253	80	220	180	145	4	19	23,8
754254	100	250	200	165	8	19	29,6
754255	125	270	235	200	8	19	50,0
754256	150	340	265	230	8	19	67,0

JIS F3060R DIMENSION TABLE

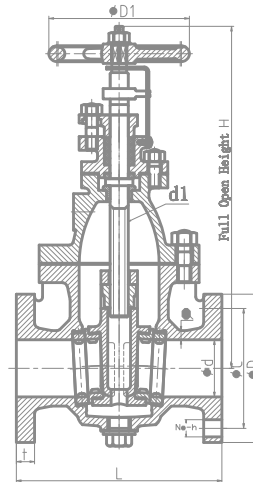
JIS 10K CODE	DN	L	D	C	NO	H	W
754251-10K	50	170	155	120	4	19	13,0
754252-10K	65	190	175	140	4	19	19,0
754253-10K	80	220	185	150	8	19	23,8
754254-10K	100	250	210	175	8	19	29,6
754255-10K	125	270	250	210	8	23	50,0
754256-10K	150	340	280	240	8	23	67,0
754257-10K	200	400	330	290	12	23	96,0

JIS MARINE VALVES



JIS F7363C - GATE VALVE CAST STEEL, JIS 5K

JIS F7366 - GATE VALVE CAST STEEL, JIS 10K



22

www.adamarine.com

VALVE DETAILS

MATERIALS

BODY : SC (CAST STEEL)
DISC : SUS (STAINLESS STEEL)
STEM : SUS (STAINLESS STEEL)
BONNET : SC (CAST STEEL)
HANDWHEEL : FC200 (CAST IRON)

INFO

L : FACE TO FACE
D : FLANGE OUTSIDE DIAMETER (F.O.D)
C : PITCH OF CIRCLE DIAMETER (P.C.D)
NO : NUMBER OF HOLES
H : DIAMETER OF HOLES
W : WEIGHT

JIS F7363C DIMENSION TABLE

JIS 5K CODE	DN	L	D	C	NO	H	W
750901-5K	50	180	130	105	4	15	13,50
750902-5K	65	190	155	130	4	15	19,00
750903-5K	80	200	180	145	4	19	24,20
750904-5K	100	230	200	165	8	19	35,30
750905-5K	125	250	235	200	8	19	48,10
750906-5K	150	270	265	230	8	19	65,30
750907-5K	200	290	320	280	8	23	103,00
750908-5K	250	330	385	345	12	23	164,0
750909-5K	300	370	430	390	12	23	236,0

JIS F7366 DIMENSION TABLE

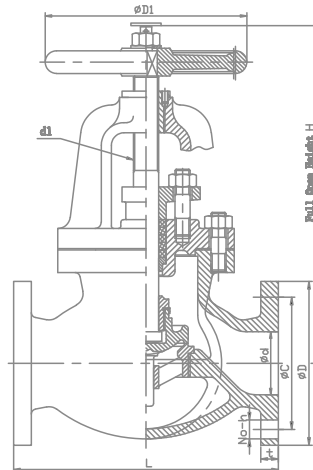
JIS 10K CODE	DN	L	D	C	NO	H	W
750901	50	200	155	120	4	19	17,1
750902	65	220	175	140	4	19	26,5
750903	80	230	185	150	8	19	31,5
750904	100	250	210	175	8	19	44,9
750905	125	270	250	210	8	23	63,2
750906	150	290	280	240	8	23	82,3
750907	200	310	330	290	12	23	130
750908	250	340	400	355	12	25	230
750909	300	380	445	400	16	25	331

JIS MARINE VALVES

JIS F7305 & F7353 - GLOBE VALVE CAST IRON, JIS 5K

JIS F7307 & F7375 - GLOBE VALVE CAST IRON, JIS 10K

JIS F7309 & F7377 - GLOBE VALVE CAST IRON, JIS 16K



23

valves@adamarine.com

VALVE DETAILS

MATERIALS

BODY : FC200 (CAST IRON)
DISC : BC6 (BRONZE)
STEM : BC6 (BRONZE)
BONNET : FC200 (CAST IRON)
HANDWHEEL : FC200 (CAST IRON)

INFO

L : FACE TO FACE
D : FLANGE OUTSIDE DIAMETER (F.O.D)
C : PITCH OF CIRCLE DIAMETER (P.C.D)
NO : NUMBER OF HOLES
H : DIAMETER OF HOLES
W : WEIGHT

JIS F7305 & F7353 DIMENSION TABLE

JIS 5K CODE (STOP)	CODE (SDNR)	DN	L	D	C	NO	H	W
750201	751101	50	210	130	105	4	15	14,7
750202	751102	65	250	155	130	4	15	21,3
750203	751103	80	280	180	145	4	19	27,7
750204	751104	100	340	200	165	8	19	40,8
750205	751105	125	410	235	200	8	19	57,6
750206	751106	150	480	265	230	8	19	80,3
750207	751107	200	570	320	280	8	23	139
750208	751108	250	740	385	345	12	23	246

JIS F7307 & F7375 DIMENSION TABLE

JIS 10K CODE (STOP)	CODE (SDNR)	DN	L	D	C	NO	H	W
750231	751131	50	220	155	120	4	19	19,9
750232	751132	65	270	175	140	4	19	28,7
750233	751133	80	300	185	150	8	19	32,4
750234	751134	100	350	210	175	8	19	48,7
750235	751135	125	420	250	210	8	23	73,1
750236	751136	150	490	280	240	8	23	104
750237	751137	200	570	330	290	12	23	162
750238	751138	250	740	400	355	12	25	304

JIS F7309 & F7377 DIMENSION TABLE

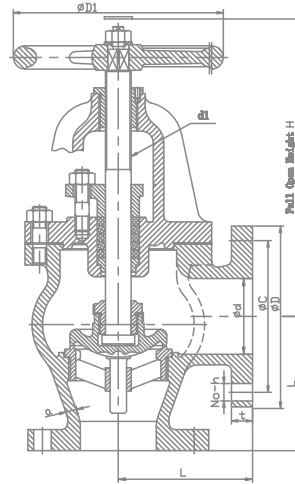
JIS 16K CODE (STOP)	CODE (SDNR)	DN	L	D	C	NO	H	W
750261	751151	50	220	155	120	8	19	19,6
750262	751152	65	270	175	140	8	19	28,3
750263	751153	80	300	200	160	8	23	40,4
750264	751154	100	350	225	185	8	23	56,9
750265	751155	125	430	270	225	8	25	89,5
750266	751156	150	500	305	260	12	25	123
750267	751157	200	570	350	305	12	25	188

JIS MARINE VALVES

JIS F7306 & F7354 - ANGLE VALVE CAST IRON, JIS 5K

JIS F7308 & F7376 - ANGLE VALVE CAST IRON, JIS 10K

JIS F7310 & F7378 - ANGLE VALVE CAST IRON, JIS 16K



24

www.adamarine.com

VALVE DETAILS

MATERIALS

BODY : FC200 (CAST IRON)
DISC : BC6 (BRONZE)
STEM : BC6 (BRONZE)
BONNET : FC200 (CAST IRON)
HANDWHEEL : FC200 (CAST IRON)

INFO

L : CENTER TO FACE
D : FLANGE OUTSIDE DIAMETER (F.O.D)
C : PITCH OF CIRCLE DIAMETER (P.C.D)
NO : NUMBER OF HOLES
H : DIAMETER OF HOLES
W : WEIGHT

JIS F7306 & F7354 DIMENSION TABLE

JIS 5K		DN	L	D	C	NO	H	W
CODE (STOP)	CODE (SDNR)							
750216	751116	50	100	130	105	4	15	12,9
750217	751117	65	115	155	130	4	15	18,2
750218	751118	80	130	180	145	4	19	23,4
750219	751119	100	150	200	165	8	19	33,7
750220	751120	125	170	235	200	8	19	46,2
750221	751121	150	190	265	230	8	19	63,4
750222	751122	200	220	320	280	8	23	105
750223	751123	250	275	385	345	12	23	176

JIS F7308 & F7376 DIMENSION TABLE

JIS 10K		DN	L	D	C	NO	H	W
CODE (STOP)	CODE (SDNR)							
750246	751141	50	120	155	120	4	19	18,2
750247	751142	65	130	175	140	4	19	25,4
750248	751143	80	140	185	150	8	19	27,4
750249	751144	100	160	210	175	8	19	40,6
750250	751145	125	180	250	210	8	23	69,9
750251	751146	150	205	280	240	8	23	81,0
750252	751147	200	230	330	290	12	23	125,0
750253	751148	250	290	400	355	12	25	211,0

JIS F7310 & F7378 DIMENSION TABLE

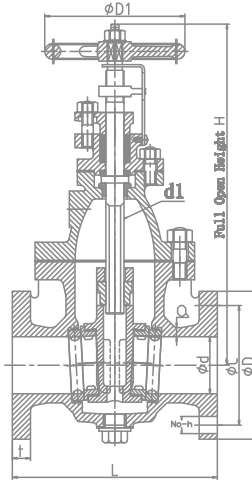
JIS 16K		DN	L	D	C	NO	H	W
CODE (STOP)	CODE (SDNR)							
750271	751161	50	120	155	120	4	19	18,0
750272	751162	65	130	175	140	4	19	25,0
750273	751163	80	150	200	160	8	23	35,7
750274	751164	100	170	225	185	8	23	49,2
750275	751165	125	200	270	225	8	25	76,1
750276	751166	150	225	305	260	12	25	103
750277	751167	200	250	350	305	12	25	155

JIS MARINE VALVES

JIS F7363 - GATE VALVE CAST IRON, JIS 5K

JIS F7364 - GATE VALVE CAST IRON, JIS 10K

JIS F7369 - GATE VALVE CAST IRON, JIS 16K



25

valves@adamarine.com

VALVE DETAILS

MATERIALS

BODY : FC200 (CAST IRON)
DISC : BC6 (BRONZE)
STEM : BC6 (BRONZE)
BONNET : FC200 (CAST IRON)
HANDWHEEL : FC200 (CAST IRON)

INFO

L : FACE TO FACE
D : FLANGE OUTSIDE DIAMETER (F.O.D)
C : PITCH OF CIRCLE DIAMETER (P.C.D)
NO : NUMBER OF HOLES
H : DIAMETER OF HOLES
W : WEIGHT

JIS F7363 DIMENSION TABLE

JIS 5K CODE	DN	L	D	C	NO	H	W
750801	50	180	130	105	4	15	13,5
750802	65	190	155	130	4	15	19,0
750803	80	200	180	145	4	19	24,2
750804	100	230	200	165	8	19	35,3
750805	125	250	235	200	8	19	48,1
750806	150	270	265	230	8	19	65,3
750807	200	290	320	280	8	23	103
750808	250	330	385	345	12	23	164,0
750809	300	370	430	390	12	23	236,0

JIS F7364 DIMENSION TABLE

JIS 10K CODE	DN	L	D	C	NO	H	W
750821	50	200	155	120	4	19	19,4
750822	65	220	175	140	4	19	27,6
750823	80	230	185	150	8	19	33,0
750824	100	250	210	175	8	19	45,8
750825	125	270	250	210	8	23	65,9
750826	150	290	280	240	8	23	86,0
750827	200	320	330	290	12	23	130
750828	250	380	400	355	12	25	230
750829	300	440	445	400	16	25	331

JIS F7369 DIMENSION TABLE

JIS 16K CODE	DN	L	D	C	NO	H	W
750832	50	200	155	120	8	19	19,4
750833	65	220	175	140	8	22	30,4
750834	80	234	200	160	8	24	36,3
750835	100	254	225	185	8	26	50,4
750836	125	274	270	225	12	26	72,5
750837	150	294	305	260	12	28	94,6

JIS MARINE VALVES

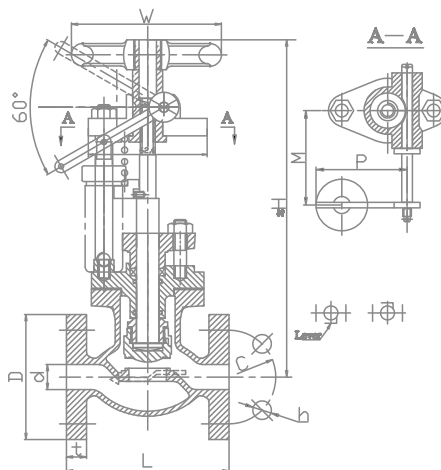


JIS F7399 - GLOBE QUICK CLOSING VALVE CAST BRONZE, JIS 5K

JIS F7399 - GLOBE QUICK CLOSING VALVE CAST BRONZE, JIS 10K

26

www.adamarine.com



VALVE DETAILS

MATERIALS

BODY : BC6 (BRONZE)
DISC : BC6 (BRONZE)
STEM : BC6 (BRONZE)
BONNET : BC6 (BRONZE)
HANDWHEEL : FC200 (CAST IRON)

INFO

L : FACE TO FACE
D : FLANGE OUTSIDE DIAMETER (F.O.D)
C : PITCH OF CIRCLE DIAMETER (P.C.D)
NO : NUMBER OF HOLES
H : DIAMETER OF HOLES
W : WEIGHT

JIS F7399 DIMENSION TABLE

JIS 5K CODE	DN	L	D	C	NO	H	W
874501-15A	15	120	80	60	4	12	7,5
874501-20A	20	120	95	70	4	12	8
874501	25	120	95	75	4	12	8,5
874501-32A	32	140	115	90	4	15	11,4
874502	40	160	120	95	4	15	12,2

JIS F7399 DIMENSION TABLE

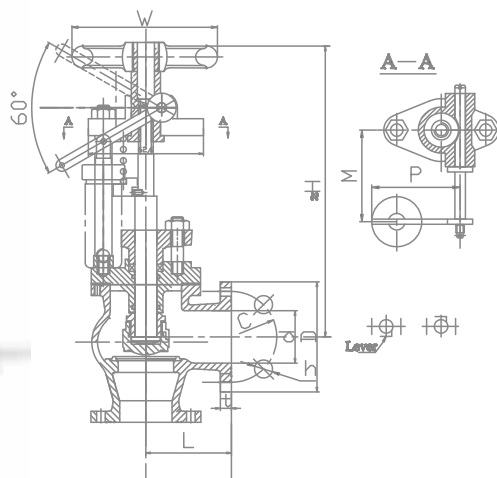
JIS 10K CODE	DN	L	D	C	NO	H	W
874501-15A-10K	15	130	95	70	4	15	7,9
874501-20A-10K	20	130	100	75	4	15	8,2
874501-10K	25	130	125	90	4	19	9,2
874501-32A-10K	32	160	135	100	4	19	13,35
874502-10K	40	170	140	105	4	19	13,8

JIS MARINE VALVES



JIS F7399 - ANGLE QUICK CLOSING VALVE CAST BRONZE, JIS 5K

JIS F7399 - ANGLE QUICK CLOSING VALVE CAST BRONZE, JIS 10K



27

valves@adamarine.com

VALVE DETAILS

MATERIALS

BODY : BC6 (BRONZE)
DISC : BC6 (BRONZE)
STEM : BC6 (BRONZE)
BONNET : BC6 (BRONZE)
HANDWHEEL : FC200 (CAST IRON)

INFO

L : CENTER TO FACE
D : FLANGE OUTSIDE DIAMETER (F.O.D)
C : PITCH OF CIRCLE DIAMETER (P.C.D)
NO : NUMBER OF HOLES
H : DIAMETER OF HOLES
W : WEIGHT

JIS F7399 DIMENSION TABLE

JIS 5K CODE	DN	L	D	C	NO	H	W
874521-15A	15	60	80	60	4	12	6,9
874521-20A	20	60	95	70	4	12	7,1
874521	25	65	95	75	4	12	7,4
874521-32A	32	85	115	90	4	15	11,4
874522	40	85	120	95	4	15	11,8

JIS F7399 DIMENSION TABLE

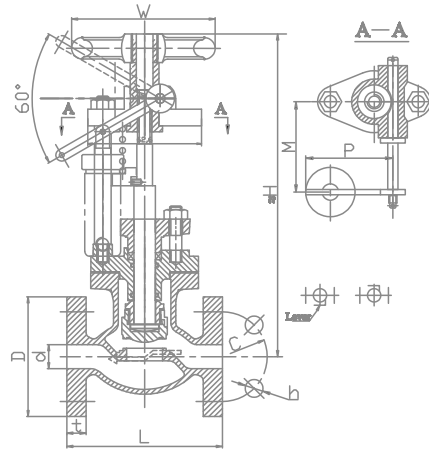
JIS 10K CODE	DN	L	D	C	NO	H	W
874521-15A-10K	15	70	95	70	4	15	7,6
874521-20A-10K	20	85	100	75	4	15	8,1
874521-10K	25	85	125	90	4	19	9,2
874521-32A-10K	32	95	135	100	4	19	13,1
874522-10K	40	100	140	105	4	15	13,6

JIS MARINE VALVES



JIS F7399 - GLOBE QUICK CLOSING VALVE CAST STEEL, JIS 5K

JIS F7399 - GLOBE QUICK CLOSING VALVE CAST STEEL, JIS 10K



28

www.adamarine.com

VALVE DETAILS

MATERIALS

BODY : SC (CAST STEEL)
DISC : SUS (STAINLESS STEEL)
STEM : SUS (STAINLESS STEEL)
BONNET : SC (CAST STEEL)
HANDWHEEL : FC200 (CAST IRON)

INFO

L : FACE TO FACE
D : FLANGE OUTSIDE DIAMETER (F.O.D)
C : PITCH OF CIRCLE DIAMETER (P.C.D)
NO : NUMBER OF HOLES
H : DIAMETER OF HOLES
W : WEIGHT

JIS F7399 DIMENSION TABLE

JIS 5K CODE	DN	L	D	C	NO	H	W
874503	50	210	130	105	4	15	17,9
874504	65	250	155	130	4	15	27,2
874505	80	280	180	145	4	19	33
874506	100	340	200	165	8	19	51,6
874507	125	410	235	200	8	19	73,6
874508	150	480	265	230	8	19	110
874509	200	570	320	280	8	23	183

JIS F7399 DIMENSION TABLE

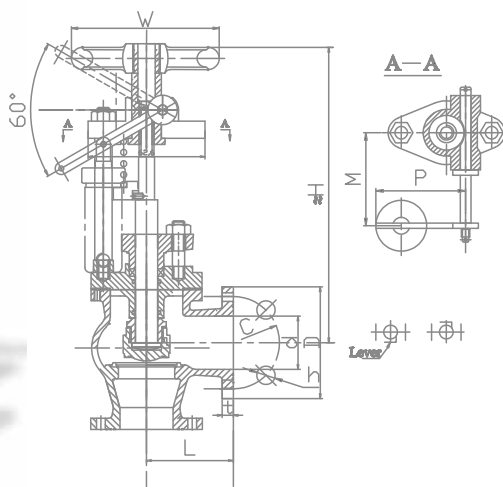
JIS 10K CODE	DN	L	D	C	NO	H	W
874503-10K	50	220	155	120	4	19	21,6
874504-10K	65	270	175	140	4	19	31,4
874505-10K	80	300	185	150	8	19	36
874506-10K	100	350	210	175	8	19	57
874507-10K	125	420	250	210	8	23	88,4
874508-10K	150	490	280	240	8	23	115
874509-10K	200	570	330	290	12	23	187,4

JIS MARINE VALVES



JIS F7399 - ANGLE QUICK CLOSING VALVE CAST STEEL, JIS 5K

JIS F7399 - ANGLE QUICK CLOSING VALVE CAST STEEL, JIS 10K



29

valves@adamarine.com

VALVE DETAILS

MATERIALS

BODY : SC (CAST STEEL)
DISC : SUS (STAINLESS STEEL)
STEM : SUS (STAINLESS STEEL)
BONNET : SC (CAST STEEL)
HANDWHEEL : FC200 (CAST IRON)

INFO

L : CENTER TO FACE
D : FLANGE OUTSIDE DIAMETER (F.O.D)
C : PITCH OF CIRCLE DIAMETER (P.C.D)
NO : NUMBER OF HOLES
H : DIAMETER OF HOLES
W : WEIGHT

JIS F7399 DIMENSION TABLE

JIS 5K CODE	DN	L	D	C	NO	H	W
874523	50	100	130	105	4	15	16
874524	65	115	155	130	4	15	23
874525	80	130	180	145	4	19	28,2
874526	100	150	200	165	8	19	45,6
874527	125	170	235	200	8	19	61,4
874528	150	190	265	230	8	19	83,2
874529	200	220	320	280	8	23	132,2

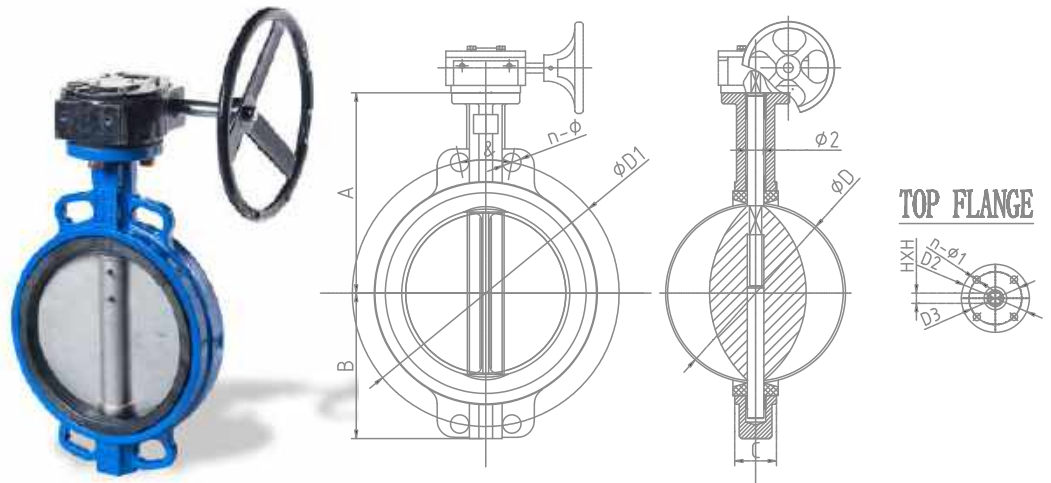
JIS F7399 DIMENSION TABLE

JIS 10K CODE	DN	L	D	C	NO	H	W
874523-10K	50	120	155	120	4	19	20,4
874524-10K	65	130	175	140	4	19	27,8
874525-10K	80	140	185	150	8	19	30
874526-10K	100	160	210	175	8	19	50
874527-10K	125	180	250	210	8	23	72,2
874528-10K	150	205	280	240	8	23	94,6
874529-10K	200	230	330	290	12	23	139,5

JIS MARINE VALVES

JIS F5731 - WAFER BUTTERFLY VALVE LOCK LEVER OPERATOR

JIS F5732 - WAFER BUTTERFLY VALVE WORM GEAR ACTUATOR



www.adamarine.com

30

VALVE DETAILS

MATERIALS

BODY : FC200 (CAST IRON)
DISC : SS (STAINLESS STEEL)
STEM : SS (STAINLESS STEEL)
SEAT : NBR

INFO

D : OUTSIDE DIAMETER
L : FACE TO FACE
NO : NUMBER OF HOLES
H : DIAMETER OF HOLES
W : WEIGHT

JIS F5731 DIMENSION TABLE

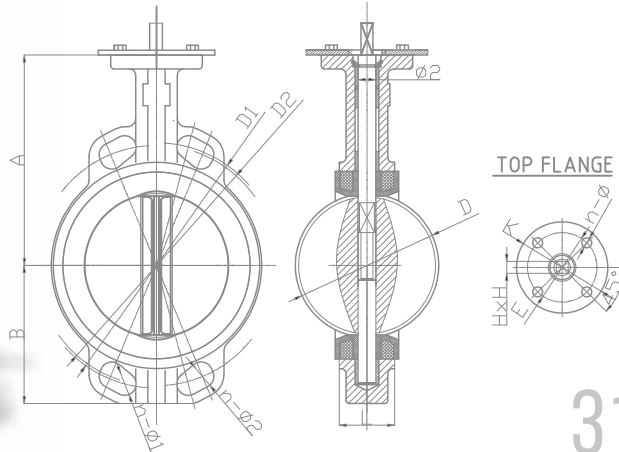
JIS 5K & JIS 10K CODE	DN	B	OPERATOR	D	L	NO	H	W
752201	50	80	LOCK LEVER	52,9	43	2	19	2,4
752202	65	89	LOCK LEVER	64,5	46	2	19	2,8
752203	80	95	LOCK LEVER	78,8	46	4	19	3,4
752204	100	114	LOCK LEVER	104	52	4	19	4,4
752205	125	127	LOCK LEVER	123,3	56	4	19	5,8
752206	150	139	LOCK LEVER	155,6	56	4	23	7

JIS F5732 DIMENSION TABLE

JIS 5K & JIS 10K CODE	DN	B	OPERATOR	D	L	NO	H	W
752211	50	80	WORM GEAR	52,9	43	2	19	3,4
752212	65	89	WORM GEAR	64,5	46	2	19	4
752213	80	95	WORM GEAR	78,8	46	4	19	4,8
752214	100	114	WORM GEAR	104	52	4	19	5,8
752215	125	127	WORM GEAR	123,3	56	4	19	7
752216	150	139	WORM GEAR	155,6	56	4	23	8,5
752217	200	174	WORM GEAR	202,5	60	4	23	14,4
752218	250	203	WORM GEAR	250,5	68	4	25	20,5
752219	300	242	WORM GEAR	301,5	78	4	25	30
752220	350	267	WORM GEAR	333,5	78	4	25	38,4
752221	400	327	WORM GEAR	392,5	102	4	27	74,4
752222	450	357	WORM GEAR	439,6	114	4	27	92
752223	500	393	WORM GEAR	490,4	127	4	27	117,2

JIS MARINE VALVES

JIS F5720 - WAFER BUTTERFLY VALVE WITHOUT OPERATOR, BARE SHAFT



31

valves@adamarine.com

VALVE DETAILS

MATERIALS

BODY : FC200 (CAST IRON)
DISC : ALUMINIUM BRONZE
STEM : SS (STAINLESS STEEL)
SEAT : NBR

INFO

D : OUTSIDE DIAMETER
L : GAGE TO FACE
NO : NUMBER OF HOLES
H : DIAMETER OF HOLES
W : WEIGHT

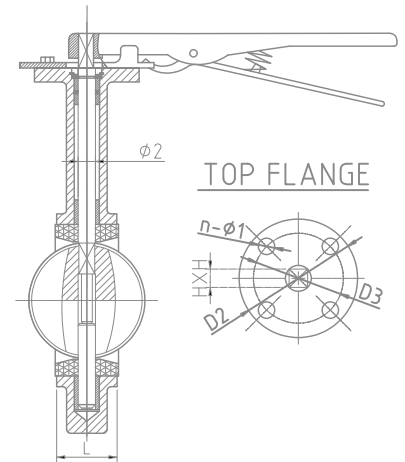
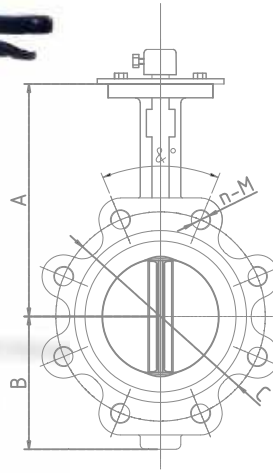
JIS F5720 DIMENSION TABLE

JIS 5K & JIS 10K								
CODE	DN	B	OPERATOR	D	L	NO	H	W
752201-BARE	50	80	WITHOUT	52,9	43	2	19	2
752202-BARE	65	89	WITHOUT	64,5	46	2	19	2,4
752203-BARE	80	95	WITHOUT	78,8	46	4	19	3
752204-BARE	100	114	WITHOUT	104	52	4	19	4
752205-BARE	125	127	WITHOUT	123,3	56	4	19	5,5
752206-BARE	150	139	WITHOUT	155,6	56	4	23	7
752217-BARE	200	174	WITHOUT	202,5	60	4	23	11
752218-BARE	250	203	WITHOUT	250,5	68	4	25	17
752219-BARE	300	242	WITHOUT	301,5	78	4	25	26
752220-BARE	350	267	WITHOUT	333,5	78	4	25	35

JIS MARINE VALVES

JIS F6421 - LUG TYPE BUTTERFLY VALVES LOCK LEVER, JIS 5K

JIS F6421.10K - LUG TYPE BUTTERFLY VALVES LOCK LEVER, JIS 10K



32

www.adamarine.com

VALVE DETAILS

MATERIALS

BODY : FC200 (CAST IRON)
DISC : ALUMINIUM BRONZE
STEM : SUS316 (STAINLESS STEEL)
SEAT : NBR

INFO

L : FACE TO FACE
C : PITCH OF CIRCLE DIAMETER
NO : NUMBER OF HOLES
H : DIAMETER OF HOLES
W : WEIGHT

JIS F6421 DIMENSION TABLE

JIS 5K CODE	DN	INCH	OPERATOR	L	C	NO	H	W
752311	40	1-1/2	LOCK LEVER	33	95	4	12	2,25
752312	50	2	LOCK LEVER	43	105	4	12	3,9
752313	65	2-1/2	LOCK LEVER	46	130	4	12	4,23
752314	80	3	LOCK LEVER	46	145	4	16	5,78
752315	100	4	LOCK LEVER	52	165	8	16	7,53
752316	125	5	LOCK LEVER	56	200	8	16	10,16

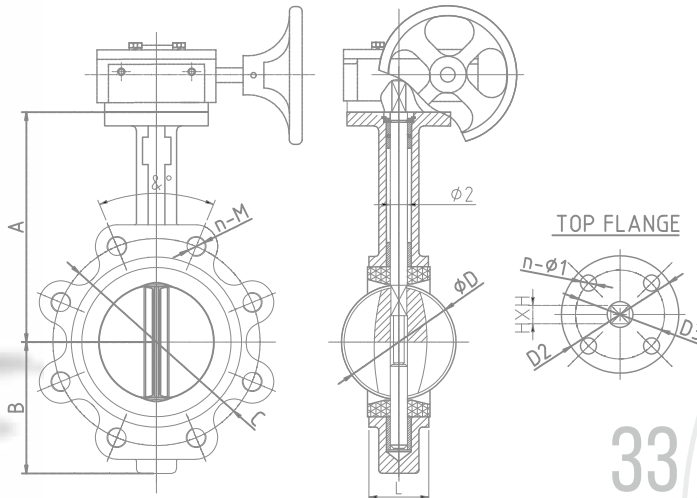
JIS F6421.10K DIMENSION TABLE

JIS 10K CODE	DN	INCH	OPERATOR	L	C	NO	H	W
752321	40	1-1/2	LOCK LEVER	33	105	4	16	2,22
752322	50	2	LOCK LEVER	43	120	4	16	3,8
752323	65	2-1/2	LOCK LEVER	46	140	4	16	4,59
752324	80	3	LOCK LEVER	46	150	8	16	5,24
752325	100	4	LOCK LEVER	52	175	8	16	7,39
752326	125	5	LOCK LEVER	56	210	8	20	9,92

JIS MARINE VALVES

JIS F6421 - LUG TYPE BUTTERFLY VALVES WORM GEAR ACTUATOR, JIS 5K

JIS F6421.10K - LUG TYPE BUTTERFLY VALVES WORM GEAR ACTUATOR JIS 10K



VALVE DETAILS

33

valves@adamarine.com

MATERIALS

BODY : FC200 (CAST IRON)
DISC : ALUMINIUM BRONZE
STEM : SUS316 (STAINLESS STEEL)
SEAT : NBR

INFO

L : FACE TO FACE
C : PITCH OF CIRCLE DIAMETER
NO : NUMBER OF HOLES
H : DIAMETER OF HOLES
W : WEIGHT

JIS F6421 DIMENSION TABLE

JIS 5K CODE	DN	INCH	OPERATOR	L	C	NO	H	W
752311-G	40	1-1/2	WORM GEAR	40	95	4	12	2,25
752312-G	50	2	WORM GEAR	43	105	4	12	3,9
752313-G	65	2-1/2	WORM GEAR	46	130	4	12	4,23
752314-G	80	3	WORM GEAR	46	145	4	16	5,78
752315-G	100	4	WORM GEAR	52	165	8	16	7,53
752316-G	125	5	WORM GEAR	56	200	8	16	10,16
752317	150	6	WORM GEAR	56	230	8	16	12,3
752318	200	7	WORM GEAR	60	280	8	20	20,86
752319	250	8	WORM GEAR	68	345	12	20	31,5
752320	300	12	WORM GEAR	78	390	12	20	49
7523350	350	14	WORM GEAR	78	435	12	20	72,4

JIS F6421.10K DIMENSION TABLE

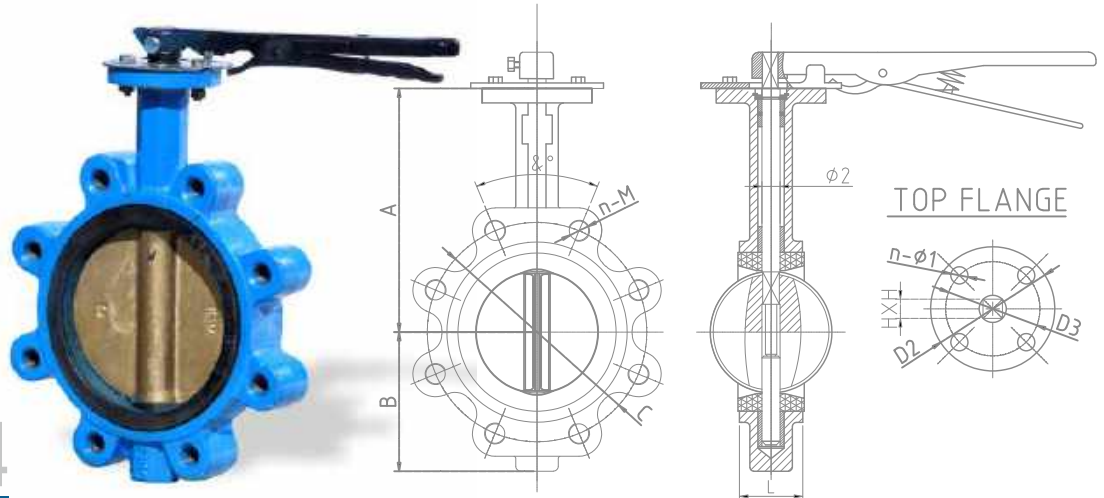
JIS 10K CODE	DN	INCH	OPERATOR	L	C	NO	H	W
752321-G	40	1-1/2	WORM GEAR	40	105	4	16	2,22
752322-G	50	2	WORM GEAR	43	120	4	16	3,8
752323-G	65	2-1/2	WORM GEAR	46	140	4	16	4,59
752324-G	80	3	WORM GEAR	46	150	8	16	5,24
752325-G	100	4	WORM GEAR	52	175	8	20	7,39
752326-G	125	5	WORM GEAR	56	210	8	20	9,92
752327	150	6	WORM GEAR	56	240	8	20	12,39
752328	200	8	WORM GEAR	60	290	12	20	22,28
752329	250	10	WORM GEAR	68	355	12	22	31
752330	300	12	WORM GEAR	78	400	16	22	49
75331	350	14	WORM GEAR	78	445	16	22	72,4

JIS MARINE VALVES



JIS F6421 - LUG TYPE BUTTERFLY VALVES LOCK LEVER, JIS 5K

JIS F6421.10K - LUG TYPE BUTTERFLY VALVES LOCK LEVER, JIS 10K



VALVE DETAILS

MATERIALS

BODY : FCD (DUCTILE IRON)
DISC : ALUMINIUM BRONZE
STEM : SUS316 (STAINLESS STEEL)
SEAT : NBR

INFO

L : FACE TO FACE
C : PITCH OF CIRCLE DIAMETER
NO : NUMBER OF HOLES
H : DIAMETER OF HOLES
W : WEIGHT

JIS F6421 DIMENSION TABLE

JIS 5K CODE	DN	INCH	OPERATOR	L	C	NO	H	W
752311-W/CLASS	40	1-1/2	LOCK LEVER	33	95	4	12	2,25
752312-W/CLASS	50	2	LOCK LEVER	43	105	4	12	3,9
752313-W/CLASS	65	2-1/2	LOCK LEVER	46	130	4	12	4,23
752314-W/CLASS	80	3	LOCK LEVER	46	145	4	16	5,78
752315-W/CLASS	100	4	LOCK LEVER	52	165	8	16	7,53
752316-W/CLASS	125	5	LOCK LEVER	56	200	8	16	10,16

JIS F6421.10K DIMENSION TABLE

JIS 10K CODE	DN	INCH	OPERATOR	L	C	NO	H	W
752321-W/CLASS	40	1-1/2	LOCK LEVER	33	105	4	16	2,22
752322-W/CLASS	50	2	LOCK LEVER	43	120	4	16	3,8
752323-W/CLASS	65	2-1/2	LOCK LEVER	46	140	4	16	4,59
752324-W/CLASS	80	3	LOCK LEVER	46	150	4	16	5,24
752325-W/CLASS	100	4	LOCK LEVER	52	175	8	16	7,39
752326-W/CLASS	125	5	LOCK LEVER	56	210	8	20	9,92

34

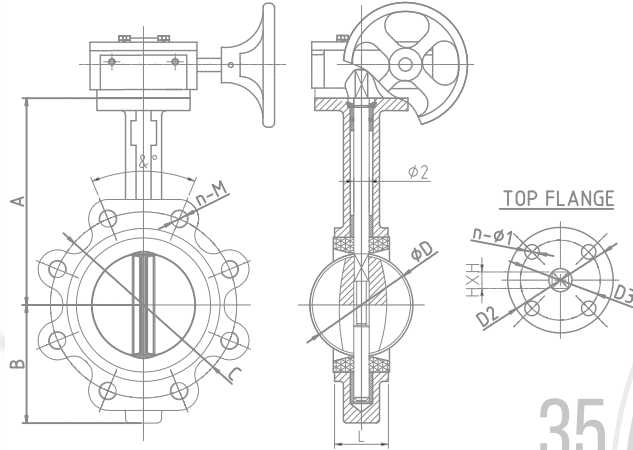
www.adamarine.com

JIS MARINE VALVES



JIS F6421 - LUG TYPE BUTTERFLY VALVES WORM GEAR ACTUATOR, JIS 5K

JIS F6421.10K - LUG TYPE BUTTERFLY VALVES WORM GEAR ACTUATOR, JIS 10K



35

valves@adamarine.com

VALVE DETAILS

MATERIALS

BODY : FCD (DUCTILE IRON)
DISC : ALUMINIUM BRONZE
STEM : SUS316 (STAINLESS STEEL)
SEAT : NBR

INFO

L : FACE TO FACE
C : PITCH OF CIRCLE DIAMETER
NO : NUMBER OF HOLES
H : DIAMETER OF HOLES
W : WEIGHT

JIS F6421 DIMENSION TABLE

JIS 5K CODE	DN	INCH	OPERATOR	L	C	NO	H	W
752311-G-W/CLASS	40	1-1/2	WORM GEAR	40	95	4	12	2,25
752312-G-W/CLASS	50	2	WORM GEAR	43	105	4	12	3,9
752313-G-W/CLASS	65	2-1/2	WORM GEAR	46	130	4	12	4,23
752314-G-W/CLASS	80	3	WORM GEAR	46	145	4	16	5,78
752315-G-W/CLASS	100	4	WORM GEAR	52	165	8	16	7,53
752316-G-W/CLASS	125	5	WORM GEAR	56	200	8	16	10,16
752317-W/CLASS	150	6	WORM GEAR	56	230	8	16	12,3
752318-W/CLASS	200	7	WORM GEAR	60	280	8	20	20,86
752319-W/CLASS	250	8	WORM GEAR	68	345	12	20	31,5
752320-W/CLASS	300	12	WORM GEAR	78	390	12	20	49
7523350-W/CLASS	350	14	WORM GEAR	78	435	12	20	72,4
7523400-W/CLASS	400	16	WORM GEAR	102	495	16	22	98,2
7523450-W/CLASS	450	18	WORM GEAR	114	555	16	22	120

JIS F6421.10K DIMENSION TABLE

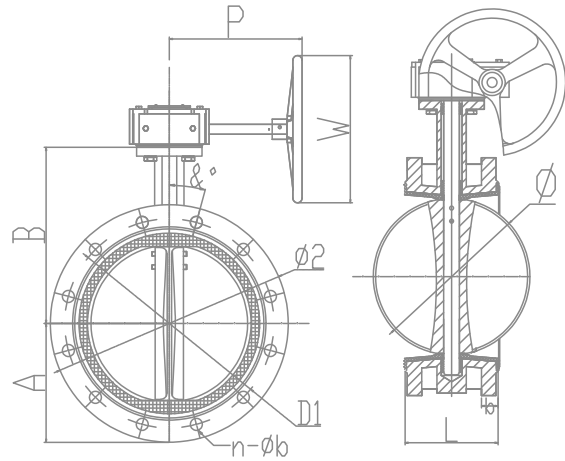
JIS 10K CODE	DN	INCH	OPERATOR	L	C	NO	H	W
752321-G-W/CLASS	40	1-1/2	WORM GEAR	40	105	4	16	2,22
752322-G-W/CLASS	50	2	WORM GEAR	43	120	4	16	3,8
752323-G-W/CLASS	65	2-1/2	WORM GEAR	46	140	4	16	4,59
752324-G-W/CLASS	80	3	WORM GEAR	46	150	8	16	5,24
752325-G-W/CLASS	100	4	WORM GEAR	52	175	8	16	7,39
752326-G-W/CLASS	125	5	WORM GEAR	56	210	8	20	9,92
752327-W/CLASS	150	6	WORM GEAR	56	240	8	20	12,39
752328-W/CLASS	200	8	WORM GEAR	60	290	12	20	22,28
752329-W/CLASS	250	10	WORM GEAR	68	355	12	22	31
752330-W/CLASS	300	12	WORM GEAR	78	400	16	22	49
752331-W/CLASS	350	14	WORM GEAR	78	445	16	22	72,4

JIS MARINE VALVES



JIS F7480 - DOUBLE FLANGE TYPE BUTTERFLY VALVE SHORT PATTERN, JIS 10K

JIS F7480 - DOUBLE FLANGE TYPE BUTTERFLY VALVE LONG PATTERN, JIS 10K



36

www.adamarine.com

VALVE DETAILS

MATERIALS

BODY : FCD (DUCTILE IRON)
DISC : ALUMINIUM BRONZE
STEM : SUS316 (STAINLESS STEEL)
SEAT : NBR

INFO

L : FACE TO FACE
C : UNDRILLED
NO : NUMBER OF HOLES
H : DIAMETER OF HOLES
W : WEIGHT

JIS F7480 SHORT PATTERN DIMENSION TABLE

JIS 10K CODE	DN	INCH	OPERATOR	L	C	NO	H	W
752340	100	4	WORM GEAR	52	UNDRILLED	UNDRILLED	UNDRILLED	11
752341	125	5	WORM GEAR	56	UNDRILLED	UNDRILLED	UNDRILLED	13
752342	150	6	WORM GEAR	56	UNDRILLED	UNDRILLED	UNDRILLED	19
752343	200	8	WORM GEAR	60	UNDRILLED	UNDRILLED	UNDRILLED	25,8
752344	250	10	WORM GEAR	68	UNDRILLED	UNDRILLED	UNDRILLED	34,8
752345	300	12	WORM GEAR	78	UNDRILLED	UNDRILLED	UNDRILLED	56,5
752346	350	14	WORM GEAR	78	UNDRILLED	UNDRILLED	UNDRILLED	69,8
752347	400	16	WORM GEAR	102	UNDRILLED	UNDRILLED	UNDRILLED	128
752348	450	18	WORM GEAR	114	UNDRILLED	UNDRILLED	UNDRILLED	152
752349	500	20	WORM GEAR	127	UNDRILLED	UNDRILLED	UNDRILLED	181
752350	550	22	WORM GEAR	151	UNDRILLED	UNDRILLED	UNDRILLED	238
752350	600	24	WORM GEAR	154	UNDRILLED	UNDRILLED	UNDRILLED	292,6
7523650	650	26	WORM GEAR	165	UNDRILLED	UNDRILLED	UNDRILLED	345
752351	700	28	WORM GEAR	165	UNDRILLED	UNDRILLED	UNDRILLED	377

JIS F7480 LONG PATTERN DIMENSION TABLE

JIS 10K CODE	DN	INCH	OPERATOR	L	C	NO	H	W
752360	100	4	WORM GEAR	60	UNDRILLED	UNDRILLED	UNDRILLED	11,8
752361	125	5	WORM GEAR	100	UNDRILLED	UNDRILLED	UNDRILLED	18,5
752362	150	6	WORM GEAR	100	UNDRILLED	UNDRILLED	UNDRILLED	21,8
752363	200	8	WORM GEAR	100	UNDRILLED	UNDRILLED	UNDRILLED	30,6
752364	250	10	WORM GEAR	110	UNDRILLED	UNDRILLED	UNDRILLED	46,1
752365	300	12	WORM GEAR	110	UNDRILLED	UNDRILLED	UNDRILLED	56,5
752366	350	14	WORM GEAR	120	UNDRILLED	UNDRILLED	UNDRILLED	71,6
752367	400	16	WORM GEAR	130	UNDRILLED	UNDRILLED	UNDRILLED	110
752368	450	18	WORM GEAR	150	UNDRILLED	UNDRILLED	UNDRILLED	141,4
752369	500	20	WORM GEAR	160	UNDRILLED	UNDRILLED	UNDRILLED	169,6
752370	600	24	WORM GEAR	170	UNDRILLED	UNDRILLED	UNDRILLED	262
752371	700	28	WORM GEAR	180	UNDRILLED	UNDRILLED	UNDRILLED	355,6

THESE VALVES CAN BE DRILLED AS PER JIS 5K OR JIS 10K FLANGE CONNECTION

JIS MARINE VALVES

JIS F6421 - WAFER TYPE DOU CHECK VALVES, JIS 5K

JIS F6421 - WAFER TYPE DOU CHECK VALVES, JIS 10K



37

valves@adamarine.com

VALVE DETAILS

MATERIALS
BODY : FCD (DUCTILE IRON)
DISC : ALUMINIUM BRONZE
STEM : SUS316 (STAINLESS STEEL)
SEAT : NBR

INFO
L : FACE TO FACE
D : OUTSIDE DIAMETER
D1 : INSIDE DIAMETER
D2 : DIAMETER OF VALVE DISC
R : PLATE RADIUS
W : WEIGHT

JIS F6421. 5K DIMENSION TABLE

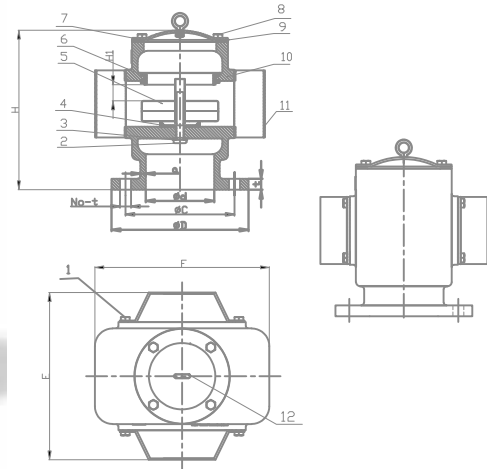
JIS 5K CODE	DN	L	D	D1	D2	R	W
751471	100	73	146	117	97,5	55,6	
751472	125	86	181	145	111,8	67,6	
751473	150	98	211	171	127	78,6	
751474	200	127	257	222	161,7	104,4	
751475	250	146	322	276	213,4	128	
751476	300	181	367	327	237,9	156,7	
751477	350	184	410	375	212,2	179,8	
751478	400	191	470	416	351	198,4	
751479	450	203	530	467	409	226,2	

JIS F6421. 10K DIMENSION TABLE

JIS 10K CODE	DN	L	D	D1	D2	R	W
751481	100	73	156	117	97,5	55,6	
751482	125	86	187	145	111,8	67,6	
751483	150	98	217	171	127	78,6	
751484	200	127	267	222	161,7	104,4	
751485	250	146	330	276	213,4	128	
751486	300	181	375	327	237,9	156,7	
751487	350	184	420	375	212,2	179,8	
751488	400	191	483	416	351	198,4	
751489	450	203	538	467	409	226,2	

JIS MARINE VALVES

JIS KS91A-121 - AIR VENT HEAD



VALVE DETAILS

MATERIALS	BODY	: FC200 (CAST IRON)
	COVER	: SS (STAINLESS STEEL)
	FILTE	: SUS (STAINLESS STEEL)
	SCREEN COVER	: SS (STAINLESS STEEL)
	FLOAT	: SUS (STAINLESS STEEL)

INFO	D2	: PITCH CIRCLE DIAMETER
	D3	: FLANGE DIAM
	NO	: NUMBER OF HOLES
	H	: DIAMETER OF HOLES
	W	: WEIGHT

JIS KS91A-121 DIMENSION TABLE

JIS 5K CODE	DN	D2	D3	Ht	H1	NO	H	W
872301	50	105	130	175	127	4	15	7,4
872302	65	130	155	204	164	4	15	12,6
872303	80	145	180	244	176	4	15	16
872304	100	165	200	220	160	8	19	23
872305	125	200	235	250	180	8	19	34
872306	150	230	265	285	208	8	19	47
872307	200	280	320	365	369	8	23	72
872308	250	345	385	430	314	12	23	120
872309	300	390	430	530	367	12	23	178
872310	350	435	480	570	415	12	23	196
872311	400	495	540	640	475	16	25	229
872312	450	605	555	715	535	16	25	285

JIS | **DIN**
MARINE VALVES | **MARINE VALVES**





ADAMAR

International Maritime Services Inc.



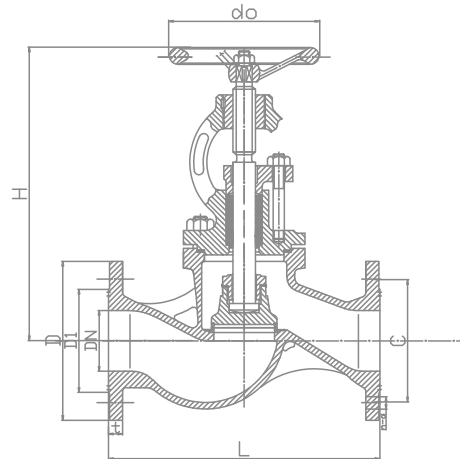
DIN

MARINE VALVES

DIN MARINE VALVES



DIN PN16 - GLOBE VALVES



42

www.adamarine.com

VALVE DETAILS

MATERIALS	COMPONENT	MATERIAL
	BODY	: GGG.40.3 (NODULAR CAST IRON)
	DISC	: BC6 (BRONZE)
	STEM	: BC6 (BRONZE)
	BONNET	: GGG.40.3 (NODULAR CAST IRON)
	HANDWHEEL	: FC200 (CAST IRON)

INFO	PARAMETER	DESCRIPTION
	L	: FACE TO FACE
	D	: FLANGE OUTSIDE DIAMETER (F.O.D)
	C	: PITCH OF CIRCLE DIAMETER (P.C.D)
	NO	: NUMBER OF HOLES
	H	: DIAMETER OF HOLES
	W	: WEIGHT

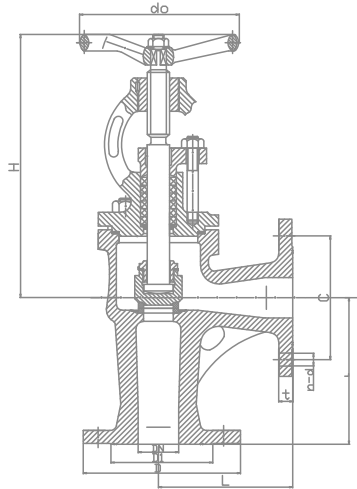
DIN PN16 DIMENSION TABLE

DIN PN16-GLOBE		DN	L	D	C	NO	H	W
CODE (STOP)	CODE (SDNR)							
755401	755401-NR	15	130	95	65	4	14	4,5
755402	755402-NR	20	150	105	75	4	14	5,5
755403	755403-NR	25	160	115	85	4	14	8,5
755404	755404-NR	32	180	140	100	4	18	9
755405	755405-NR	40	200	150	110	4	18	12,5
755406	755406-NR	50	230	165	125	4	18	15,5
755407	755407-NR	65	290	185	145	4	18	22
755408	755408-NR	80	310	200	160	8	18	27,5
755409	755409-NR	100	350	220	180	8	18	38,5
755410	755410-NR	125	400	250	210	8	18	60
755411	755411-NR	150	480	285	240	8	22	83
755412	755412-NR	200	600	340	295	8	22	127
755413	755413-NR	250	730	395	350	12	22	255
755414	755414-NR	300	850	445	400	12	22	355

DIN MARINE VALVES



DIN PN16 - ANGLE VALVES



VALVE DETAILS

MATERIALS

BODY : GGG.40.3 (NODULAR CAST IRON)
DISC : BC6 (BRONZE)
STEM : BC6 (BRONZE)
BONNET : GGG.40.3 (NODULAR CAST IRON)
HANDWHEEL : FC200 (CAST IRON)

INFO

L : CENTER TO FACE
D : FLANGE OUTSIDE DIAMETER (F.O.D)
C : PITCH OF CIRCLE DIAMETER (P.C.D)
NO : NUMBER OF HOLES
H : DIAMETER OF HOLES
W : WEIGHT

43

valves@adamarine.com

DIN PN16 DIMENSION TABLE

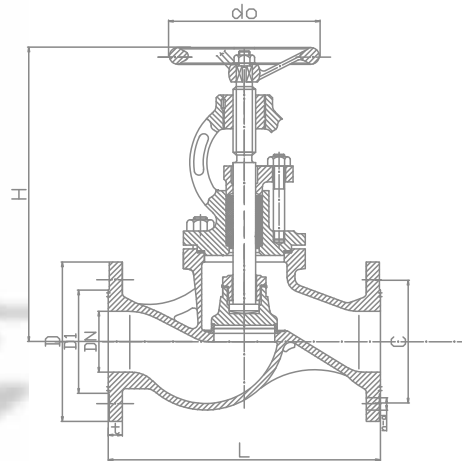
DIN PN16-ANGLE

CODE (STOP)	CODE (SDNR)	DN	L	D	C	NO	H	W
755416	755416-NR	15	90	95	65	4	14	4,5
755417	755417-NR	20	95	105	75	4	14	5,5
755418	755418-NR	25	100	115	85	4	14	7,5
755419	755419-NR	32	105	140	100	4	18	8,5
755420	755420-NR	40	115	150	110	4	18	11
755421	755421-NR	50	125	165	125	4	18	14
755422	755422-NR	65	145	185	145	4	18	20
755423	755423-NR	80	155	200	160	8	18	24
755424	755424-NR	100	175	220	180	8	18	33
755425	755425-NR	125	200	250	210	8	18	55
755426	755426-NR	150	225	285	240	8	22	66
755428	755428-NR	200	275	340	295	8	22	115
755429	755429-NR	250	325	395	350	12	22	190
755430	755430-NR	300	375	445	400	12	22	260

DIN MARINE VALVES



DIN PN40 - GLOBE VALVES



44

www.adamarine.com

VALVE DETAILS

MATERIALS

- BODY** : GS C25 (CAST STEEL)
- DISC** : SS (STAINLEES STEEL)
- STEM** : SS (STAINLEES STEEL)
- BONNET** : GS C25 (CAST STEEL)
- HANDWHEEL** : FC200 (CAST IRON)

INFO

- L** : FACE TO FACE
- D** : FLANGE OUTSIDE DIAMETER (F.O.D)
- C** : PITCH OF CIRCLE DIAMETER (P.C.D)
- NO** : NUMBER OF HOLES
- H** : DIAMETER OF HOLES
- W** : WEIGHT

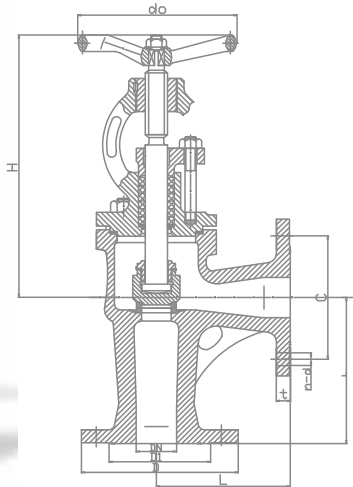
DIN PN40 DIMENSION TABLE

DIN PN40-GLOBE		DN	L	D	C	NO	H	W
CODE (STOP)	CODE (SDNR)							
755326	755326-NR	15	130	95	65	4	14	4,8
755327	755327-NR	20	150	105	75	4	14	5,4
755328	755328-NR	25	160	115	85	4	14	7,1
755329	755329-NR	32	180	140	100	4	18	8
755330	755330-NR	40	200	150	110	4	18	11,5
755331	755331-NR	50	230	165	125	4	18	13,5
755332	755332-NR	65	290	185	145	8	18	23,5
755333	755333-NR	80	310	200	160	8	18	28
755334	755334-NR	100	350	235	190	8	22	40
755335	755335-NR	125	400	270	220	8	22	61
755336	755336-NR	150	480	300	250	8	22	84

DIN MARINE VALVES



DIN PN40 - ANGLE VALVE



VALVE DETAILS

MATERIALS

BODY : GS C25 (CAST STEEL)
DISC : SS (STAINLEES STEEL)
STEM : SS (STAINLEES STEEL)
BONNET : GS C25 (CAST STEEL)
HANDWHEEL : FC200 (CAST IRON)

INFO

L : CENTER TO FACE
D : FLANGE OUTSIDE DIAMETER (F.O.D)
C : PITCH OF CIRCLE DIAMETER (P.C.D)
NO : NUMBER OF HOLES
H : DIAMETER OF HOLES
W : WEIGHT

45

valves@adamarine.com

DIN PN40 DIMENSION TABLE

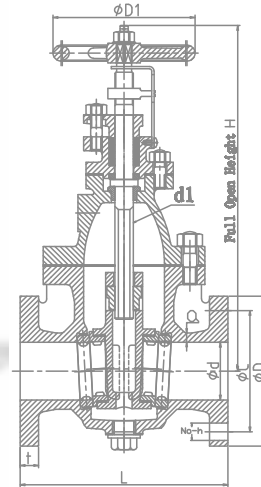
DIN PN40-ANGLE

CODE (STOP)	CODE (SDNR)	DN	L	D	C	NO	H	W
755341	755341-NR	15	90	95	65	4	14	5,2
755342	755342-NR	20	95	105	75	4	14	7,2
755343	755343-NR	25	100	115	85	4	14	7,4
755344	755344-NR	32	105	140	100	4	18	8,4
755345	755345-NR	40	115	150	110	4	18	12,4
755346	755346-NR	50	125	165	125	4	18	13,6
755347	755347-NR	65	145	185	145	8	18	20
755348	755348-NR	80	155	200	160	8	18	25
755349	755349-NR	100	175	220	190	8	22	34
755350	755350-NR	125	200	250	220	8	22	53
755351	755351-NR	150	225	285	250	8	22	70

DIN MARINE VALVES



DIN PN16 - GATE VALVES



VALVE DETAILS

MATERIALS

BODY : GGG.40.3 (NODULAR CAST IRON)
DISC : BC6 (BRONZE)
STEM : BC6 (BRONZE)
BONNET : GGG.40.3 (NODULAR CAST IRON)
HANDWHEEL : FC200 (CAST IRON)

INFO

L : FACE TO FACE
D : FLANGE OUTSIDE DIAMETER (F.O.D)
C : PITCH OF CIRCLE DIAMETER (P.C.D)
NO : NUMBER OF HOLES
H : DIAMETER OF HOLES
W : WEIGHT

46

www.adamarine.com

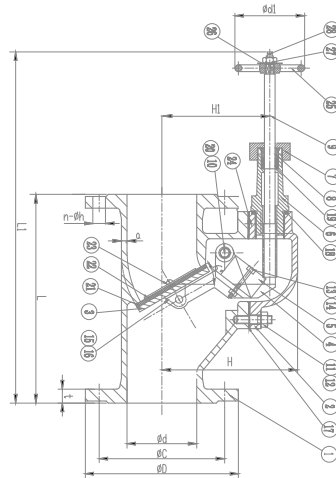
DIN PN16 - DIMENSION TABLE

DIN PN16 CODE	DN	L	D	C	NO	H	W
755661	40	140	150	110	4	18	13
755662	50	150	165	125	4	18	16
755663	65	170	185	145	4	18	21
755664	80	180	200	160	8	18	27
755665	100	190	220	180	8	18	35
755666	125	200	250	210	8	18	48
755667	150	210	285	240	8	22	60
755668	200	230	340	295	8	22	90
755669	250	250	395	350	12	22	130
755670	300	270	445	400	12	22	160

DIN MARINE VALVES



DIN PN10 - GLOBE STORM VALVE



VALVE DETAILS

MATERIALS

- BODY** : GGG.40.3 (NODULAR CAST IRON)
- DISC** : BC6 (BRONZE)
- STEM** : BC6 (BRONZE)
- BONNET** : GGG.40.3 (NODULAR CAST IRON)
- HANDWHEEL** : FC200 (CAST IRON)

INFO

- L** : FACE TO FACE
- D** : FLANGE OUTSIDE DIAMETER (F.O.D)
- C** : PITCH OF CIRCLE DIAMETER (P.C.D)
- NO** : NUMBER OF HOLES
- H** : DIAMETER OF HOLES
- W** : WEIGHT

47

valves@adamarine.com

DIN PN10 - DIMENSION TABLE

DIN PN10 CODE	DN	L	D	C	NO	H	W
754291	50	200	165	125	4	18	17
754292	65	240	185	145	4	18	21
754293	80	260	200	160	8	18	29
754294	100	300	220	180	8	18	38
754295	125	350	250	210	8	18	56
754296	150	400	285	240	8	22	67

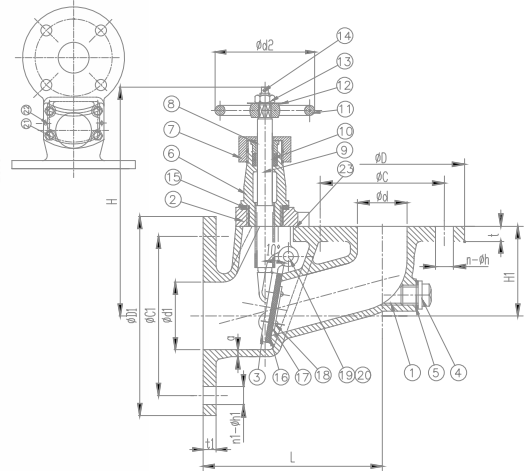
DIN MARINE VALVES



DIN PN10 - ANGLE STORM VALVES

48

www.adamarine.com



VALVE DETAILS

MATERIALS

- BODY** : GGG.40.3 (NODULAR CAST IRON)
- DISC** : BC6 (BRONZE)
- STEM** : BC6 (BRONZE)
- BONNET** : GGG.40.3 (NODULAR CAST IRON)
- HANDWHEEL** : FC200 (CAST IRON)

INFO

- L** : CENTER TO FACE
- D** : FLANGE OUTSIDE DIAMETER (F.O.D)
- C** : PITCH OF CIRCLE DIAMETER (P.C.D)
- NO** : NUMBER OF HOLES
- H** : DIAMETER OF HOLES
- W** : WEIGHT

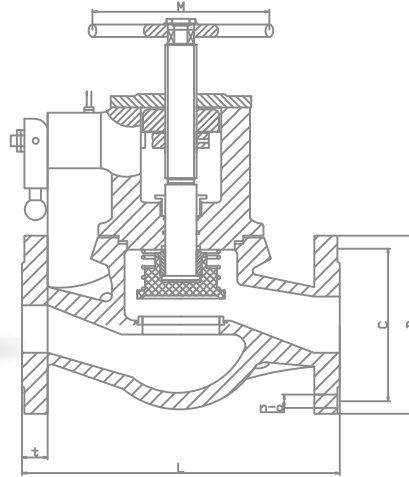
DIN PN10 - DIMENSION TABLE

DIN PN10 CODE	DN	L	D	C	NO	H	W
754277	50	180	165	125	4	18	12
754278	65	200	185	145	4	18	14
754279	80	215	200	160	8	181	18
754280	100	250	220	180	8	18	27
754281	125	290	250	210	8	18	37
754282	150	330	285	240	8	22	49

DIN MARINE VALVES



DIN PN16 - GLOBE QUICK CLOSING VALVES



VALVE DETAILS

MATERIALS

BODY : SC (CAST STEEL)
DISC : SS (STAINLEES STEEL)
STEM : BC6 (BRONZE)
BONNET : SC (CAST STEEL)
HANDWHEEL : FC200 (CAST IRON)

INFO

L : FACE TO FACE
D : FLANGE OUTSIDE DIAMETER (F.O.D)
C : PITCH OF CIRCLE DIAMETER (P.C.D)
NO : NUMBER OF HOLES
H : DIAMETER OF HOLES
W : WEIGHT

49

valves@adamarine.com

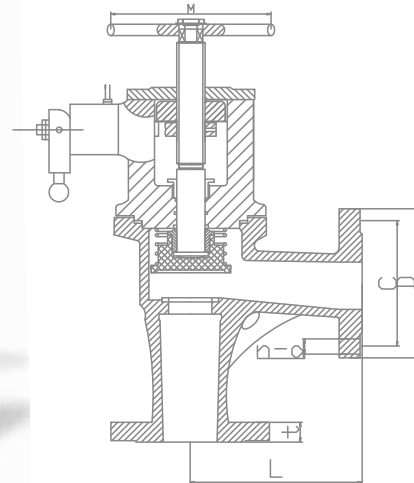
DIN PN16 - DIMENSION TABLE

DIN PN16 CODE	DN	L	D	C	NO	H	W
874621	15	130	95	65	4	14	5,0
874622	20	150	105	75	4	14	6,0
874623	25	160	115	85	4	14	6,5
874624	32	180	140	100	4	18	9,5
874625	40	200	150	110	4	18	12,5
874626	50	230	165	125	4	18	17
874627	65	290	185	145	4	18	28
874628	80	310	200	160	8	18	31
874629	100	350	220	180	8	18	45
874630	125	400	250	210	8	18	66
874645	150	480	285	240	8	22	74,5

DIN MARINE VALVES



DIN PN16 - ANGLE QUICK CLOSING VALVES



50

www.adamarine.com

VALVE DETAILS

MATERIALS	PROPERTY	VALUE
BODY		: SC (CAST STEEL)
DISC		: SS (STAINLESS STEEL)
STEM		: BC6 (BRONZE)
BONNET		: SC (CAST STEEL)
HANDWHEEL		: FC200 (CAST IRON)

INFO	PROPERTY	VALUE
L		: CENTER TO FACE
D		: FLANGE OUTSIDE DIAMETER (F.O.D)
C		: PITCH OF CIRCLE DIAMETER (P.C.D)
NO		: NUMBER OF HOLES
H		: DIAMETER OF HOLES
W		: WEIGHT

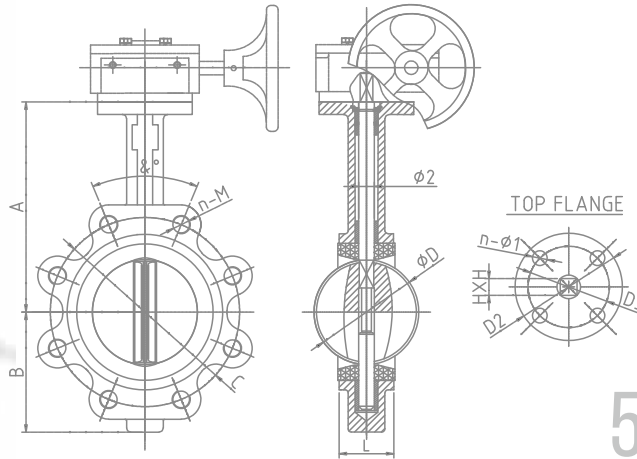
DIN PN16 - DIMENSION TABLE

DIN PN16 CODE	DN	L	D	C	NO	H	W
874631	15	90	95	65	4	14	5,0
874632	20	95	105	75	4	14	6,0
874633	25	100	115	85	4	14	6,5
874634	32	105	140	100	4	18	9,5
874635	40	115	150	110	4	18	12,5
874636	50	125	165	125	4	18	17
874637	65	145	185	145	4	18	28
874638	80	155	200	160	8	18	31
874639	100	175	220	180	8	18	45
874640	125	200	250	210	8	18	66
874641	150	225	285	240	8	22	74,5

DIN MARINE VALVES



DIN PN10/PN16 - LUG TYPE BUTTERFLY VALVES



VALVE DETAILS

51

valves@adamarine.com

MATERIALS

BODY : GGG.40.3 (NODULAR CAST IRON)
DISC : ALUMINIUM BRONZE
STEM : SUS316 (STAINLESS STEEL)
SEAT : NBR

INFO

L : FACE TO FACE
C : PITCH OF CIRCLE DIAMETER
NO : NUMBER OF HOLES
H : DIAMETER OF HOLES
W : WEIGHT

DIN PN16 DIMENSION TABLE

DIN PN16 CODE	DN	INCH	OPERATOR	L	C	NO	H	W
754431	50	2	LOCK LEVER	43	125	4	16	4,1
754432	65	2-1/2	LOCK LEVER	46	145	4	16	5,5
754433	80	3	LOCK LEVER	46	160	8	16	6,8
754434	100	4	LOCK LEVER	52	180	8	16	8,6
754435	125	5	LOCK LEVER	56	210	8	16	10,5
754436	150	6	LOCK LEVER	56	240	8	20	12,5

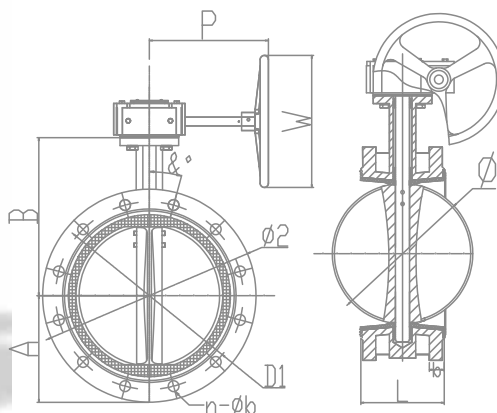
DIN PN10 DIMENSION TABLE

DIN PN10 CODE	DN	INCH	OPERATOR	L	C	NO	H	W
754431-G	50	2	WORM GEAR	43	125	4	16	4,1
754432-G	65	2-1/2	WORM GEAR	46	145	4	16	5,5
754433-G	80	3	WORM GEAR	46	160	8	16	6,8
754434-G	100	4	WORM GEAR	52	180	8	16	8,6
754435-G	125	5	WORM GEAR	56	210	8	16	10,5
754436-G	150	6	WORM GEAR	56	240	8	20	12,5
754437	200	8	WORM GEAR	60	295	8	20	21,4
754438	250	10	WORM GEAR	68	350	12	20	29,3
754439	300	12	WORM GEAR	78	400	12	20	44
754440	350	14	WORM GEAR	78	460	16	20	62,2

DIN MARINE VALVES



DIN PN10/PN16 - DOUBLE TYPE BUTTERFLY VALVES



52

www.adamarine.com

VALVE DETAILS

MATERIALS

BODY : GGG.40.3 (NODULAR CAST IRON)
DISC : ALUMINIUM BRONZE
STEM : SUS316 (STAINLESS STEEL)
SEAT : NBR

INFO

L : FACE TO FACE
C : PITCH OF CIRCLE DIAMETER
NO : NUMBER OF HOLES
H : DIAMETER OF HOLES
W : WEIGHT

DIN PN10/PN16 DIMENSION TABLE

DIN PN16 CODE	DN	INCH	OPERATOR	L	C	NO	H	W
754581	50	2	LOCK LEVER	108	125	4	18	8,0
754582	65	2-1/2	LOCK LEVER	112	145	4	18	8,5
754583	80	3	LOCK LEVER	114	160	8	18	9,0
754584	100	4	LOCK LEVER	127	180	8	18	11,0
754585	125	5	LOCK LEVER	140	210	8	18	13,0
754586	150	6	LOCK LEVER	140	240	8	22	17,0

DIN PN10/PN16 DIMENSION TABLE

DIN PN10 CODE	DN	INCH	OPERATOR	L	C	NO	H	W
754581-G	50	2	WORM GEAR	108	125	4	18	10,0
754582-G	65	2-1/2	WORM GEAR	112	145	4	18	11,0
754583-G	80	3	WORM GEAR	114	160	8	18	11,5
754584-G	100	4	WORM GEAR	127	180	8	18	13,0
754585-G	125	5	WORM GEAR	140	210	8	18	14,0
754586-G	150	6	WORM GEAR	140	240	8	22	18,0
754587	200	8	WORM GEAR	152	295	8	22	23,0
754588	250	10	WORM GEAR	165	350	12	22	32
754589	300	12	WORM GEAR	178	400	12	22	50
754590	350	14	WORM GEAR	190	460	16	22	65
754591	400	16	WORM GEAR	216	515	16	26	95
754592	450	18	WORM GEAR	222	565	20	26	130
754593	500	20	WORM GEAR	229	620	20	26	150
754594	600	24	WORM GEAR	267	725	20	30	200



ADAMAR BRANCH OFFICES



FACTORY / MANUFACTURER ISO, QUALITY AND CLASS APPROVALS



**BUREAU
VERITAS**



DNV·GL

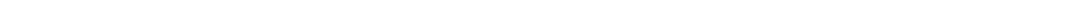


Lloyd's
Register

ClassNK



TradeNet
#88214





 www.adamarine.com





ADAMAR VALVES

INTERNATIONAL SHIP SUPPLY

HEAD OFFICE & MAIN WAREHOUSE :

ÇORAKLAR MH. 5003 SK. NO:26
ALIAĞA ORG. SAN. BÖLGESİ ALIAĞA / İZMİR
Office : +90 232 616 17 19 / 120
Mobile : +90 533 328 23 10

SHIPYARD BRANCH

OFFICE :
AYDINLI MH. AYDINLIK CAD. NO:48/A
TUZLA / İSTANBUL

İSTANBUL BRANCH

OFFICE & WAREHOUSE :
SS İSTANBUL MERMEÇİLER KÜÇÜK SAN.
SİTESİ YAPI KOOP. 176 ADA 7 PARSEL KÖSELER
MH. 18.CAD NO:16/1 - DİLOVASI

ISKENDERUN

BRANCH OFFICE :
GAZİ MH. 1324 SK. NO:12/A –
YENİŞEHİR/MERSİN

HONG KONG

REGIONAL OFFICE:
ROOM NO. 206,2/F AXA SOUTHSIDE,
38 WONG CHUK HANG ROAD, WONG
CHUK HANG, HONG KONG
Office : + 852 3963 9388
Mobile : + 852 6898 0536

NETHERLANDS

ADAMAR B.V
GIETERIJSTRAAT67,2984
AB RIDDERKERK THE
NETHERLANDS
Office : + 31 180 22 4000
Mobile : + 31 6 43 16 48 24
W: www.adamarbv.nl
@adamar@adamarbv.nl

CHINA

REGIONAL OFFICE:
WUXI HUIZHAN ECONOMIC
DEVELOPMENT ZONE
ZHIHUI ROAD NO:18 1801-50
OFFICE WUXI / JIANGSU / CHINA
Office : +86 186 2606 6553

GREECE

Mobile : +90 530 237 39 06
Mail : eskafida@adamarine.com



TradeNet
#88214

✉ adamar@adamarine.com

✉ valves@adamarine.com